

## "Technology Leadership"

- Highest speed rotary actuator platform
- Reliable control & position detection
- Compact design
- Custom engineered to application requirements

## "The Safe Choice"

- Long life
- Interconnect solutions with best EMI/RFI shielding
- Proven technology
- High speed sorting application expertise



## Motion & Control Solutions for Document Sorting

### Solenoid & Actuation Platforms

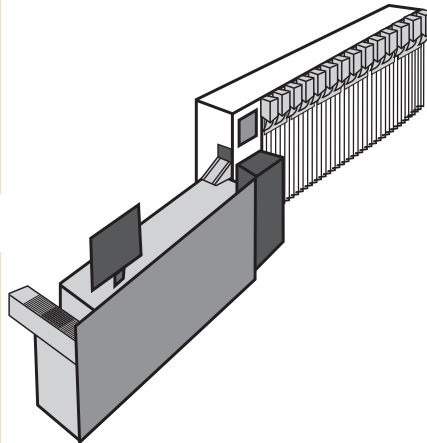
- Highest speed
- 10M life cycles

### Control Switches

- Customized HMI
- Rugged design

### Microswitch Technology

- Small size
- Environmentally resistant



### Flexible Interconnects

- High reliability
- Long life

Johnson Electric creates custom solutions beginning with our wide range of component technologies



High Speed Actuators



Rotary Solenoids



Snap Action  
Microswitches



Panel Mounted  
Switches



Flex Cabling

For more information, contact us at [sales@johnsonelectric.com](mailto:sales@johnsonelectric.com)  
[www.johnsonelectric.com](http://www.johnsonelectric.com)