

Characteristics:

Brushless DC Motor, Outer rotor

**Specifications:**

Dimensions (in)	: Ø 2.59 X 1.57 in
Shaft Diameter (in)	: Ø 0.236 in
Input Voltage (V)	: 230.0 V AC (To controller)
No Load Speed (rpm)	: 3900 rpm
No Load Current (A)	: 0.13 A
Nominal Speed (rpm)	: 2900 rpm
Nominal Torque (lb.in)	: 1.59 lb.in
Nominal Current (A)	: 0.83 A
Maximum Output Power (hp)	: 0.09 hp
Maximum Efficiency (%)	: 76.50%
Torque at Max Efficiency (lb.in)	: 1.68 lb.in
Speed at Max Efficiency (rpm)	: 2850 rpm
Life (Typical)	: 10000 hr
Weight (oz)	: 16.57 oz
Operating Temperature Range (°F)	: 32 to 140 °F
Storage Temperature Range (°F)	: -4 to 176 °F
Electrical Connection	: 3-pin power connector, 2-pin thermal protector

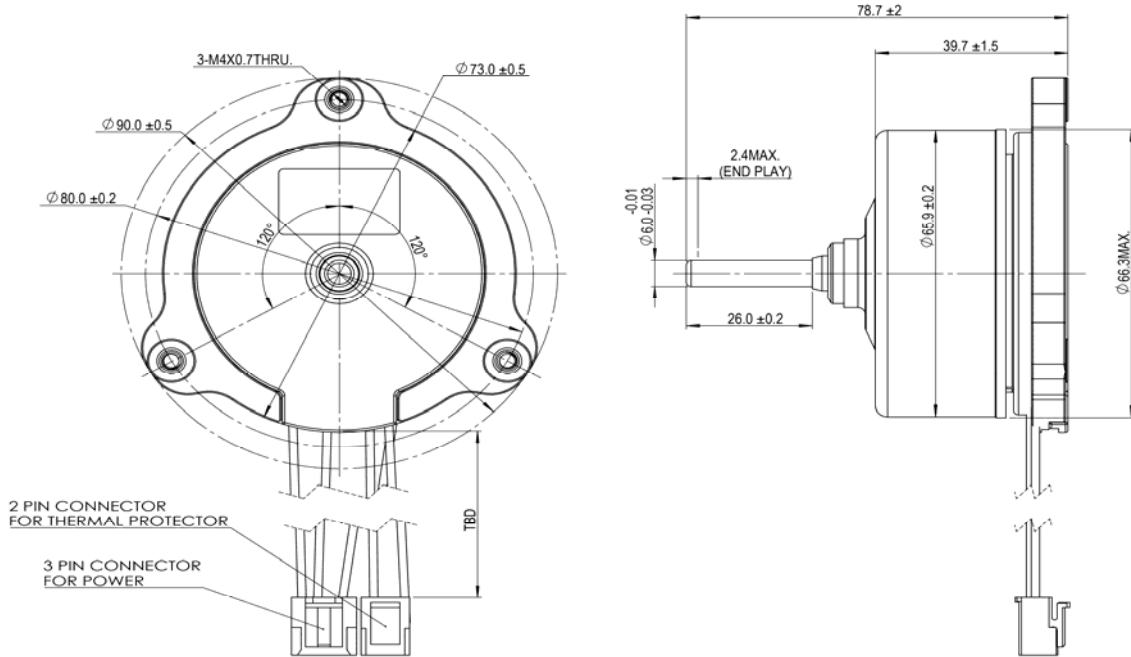
Performance Data:

	No Load	Max Efficiency	Max Power
Current (A)	0.13	0.87	1.50
Efficiency (%)	-	76.50	49.00
Output Power (hp)	-	0.08	0.09
Speed (rpm)	3900.00	2850.00	2000.00
Torque (lb.in)	-	1.68	3.10

Application Examples:

Range Hood Fans, Exhaust Fans, Ventilation

Drawing:



Performance Curves:

