

**Characteristics:**

---

High efficient, Energy saving, Long life, Low noise

**Specifications:**

---

|                                    |                   |
|------------------------------------|-------------------|
| Shaft Diameter                     | : Ø 8.000 mm      |
| Input Voltage                      | : 120.0 V AC      |
| Output Power at Maximum Efficiency | : 178.00 W        |
| Maximum Efficiency                 | : 81%             |
| Torque at Maximum Efficiency       | : 590.00 mNm      |
| Speed at Maximum Efficiency        | : 2880 rpm        |
| Weight                             | : 2204 g          |
| Electrcial Connection              | : Y to Connection |

**Performance Data:**

---

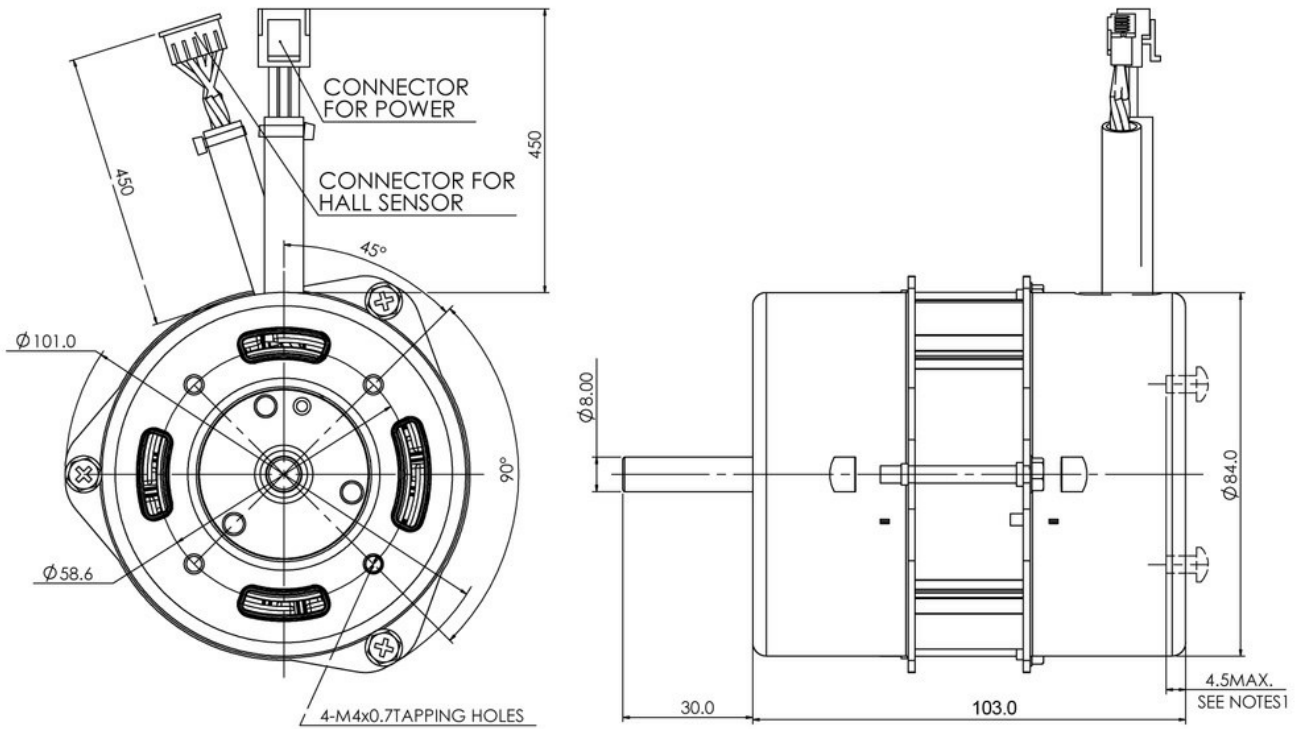
|                  | No Load | Stall   | Maximum Efficiency | Maximum Power |
|------------------|---------|---------|--------------------|---------------|
| Current (A)      | 0.30    | 11.50   | 2.83               | 6.33          |
| Efficiency (%)   | -       | -       | 81                 | 57            |
| Output Power (W) | -       | -       | 178.00             | 279.00        |
| Speed (rpm)      | 3650    | -       | 2880               | 1700          |
| Torque (mNm)     | -       | 2950.00 | 590.00             | 1570.00       |

**Application Examples:**

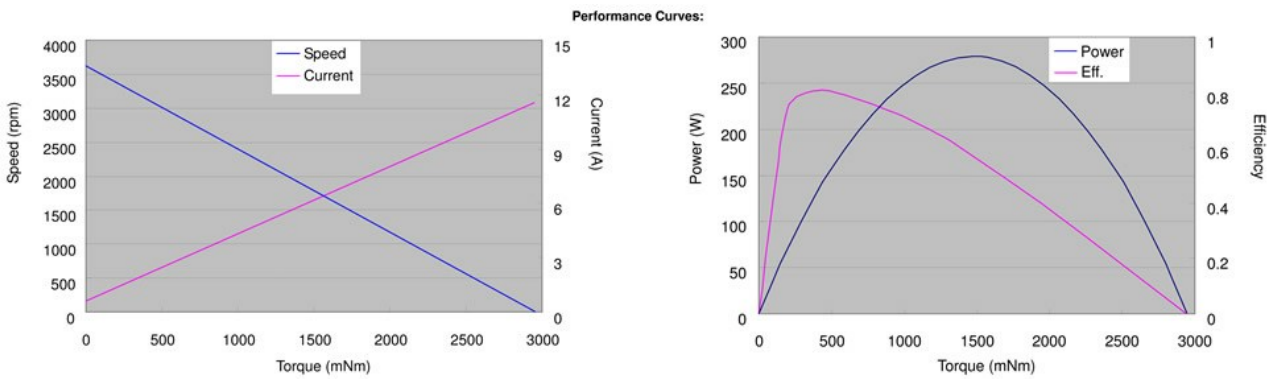
---

Range Hood Fans, Kitchen Range Hoods, Home Ventilation

Outline Drawing:



Performance Curves:



Units in Metric