

**Characteristics:**

Low power EC motor

**Specifications:**

Dimensions (mm)	: Ø 36.0 X 45.0 mm
Shaft Diameter (mm)	: Ø 4.000 mm
Input Voltage (V)	: 18.0 V DC
No Load Speed (rpm)	: 4800 rpm
No Load Current (A)	: 0.18 A
Nominal Speed (rpm)	: 3800 rpm
Nominal Torque (mNm)	: 30.00 mNm
Nominal Current (A)	: 0.98 A
Stall Torque (mNm)	: 140.00 mNm
Stall Current (A)	: 4.00 A
Maximum Output Power (W)	: 18.00 W
Maximum Efficiency (%)	: 67%
Torque (mNm) - Max Eff	: 25.00 mNm
Speed (rpm) - Max Eff	: 4000 rpm
Life (Typical)	: 10000 hr
Weight (g)	: 185 g
Operating Temperature Range (°C)	: -10 to 65 °C
Storage Temperature Range (°C)	: -40 to 70 °C
Electrical Connection	: Leadwire and connector

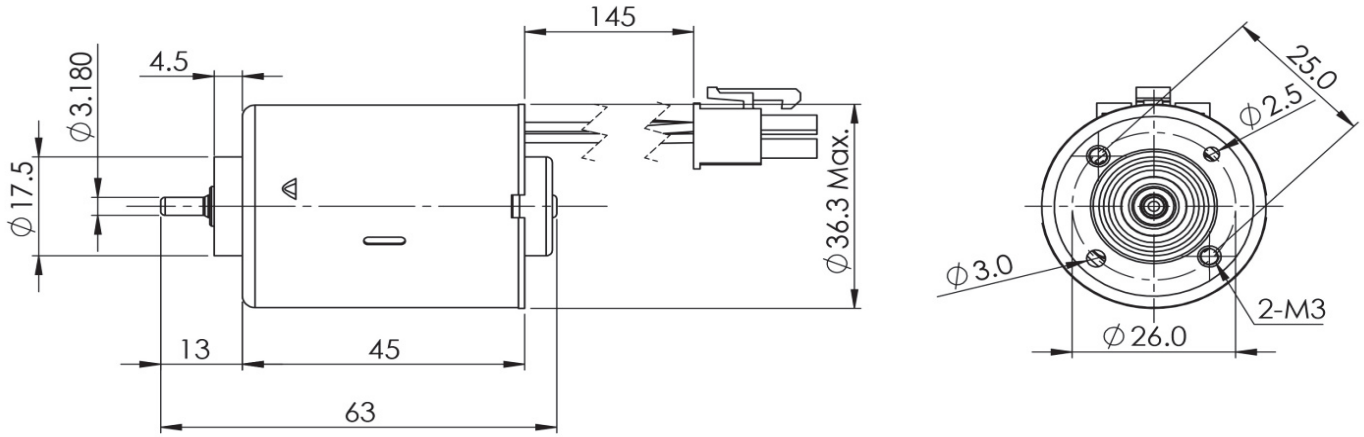
**Performance Data:**

	No Load	Stall	Max Efficiency	Max Power
<b>Current (A)</b>	0.18	4.00	0.82	2.00
<b>Efficiency (%)</b>	-	-	67.00	46.00
<b>Output Power (W)</b>	-	-	10.00	18.00
<b>Speed (rpm)</b>	4800.00	-	4000.00	2400.00
<b>Torque (mNm)</b>	-	140.00	25.00	70.00

**Application Examples:**

Robotic Mower Drive

Drawing:



Performance Curves:

