

Characteristics:

Brushless DC Motor, Open Frame (Stator-rotor set)

**Specifications:**

Dimensions (in)	: Ø 1.50 X 2.26 in
Shaft Diameter (in)	: Ø 0.16 in
Input Voltage (V)	: 18.0 V DC
No Load Speed (rpm)	: 22980 rpm
No Load Current (A)	: 2.45 A
Nominal Speed (rpm)	: 18000 rpm
Nominal Torque (lb.in)	: 1.24 lb.in
Nominal Current (A)	: 17.0 A
Stall Torque (lb.in)	: 5.31 lb.in
Stall Current (A)	: 72.00 A
Maximum Output Power (hp)	: 0.49 hp
Maximum Efficiency (%)	: 80.00%
Torque at Max Efficiency (lb.in)	: 0.84 lb.in
Speed at Max Efficiency (rpm)	: 19400 rpm
Life (Typical)	: 250 hr
Weight (oz)	: 6.56 oz
Operating Temperature Range (°F)	: 14 to 158 °F
Storage Temperature Range (°F)	: -4 to 158 °F
Electrical Connection	: 6-pin connector

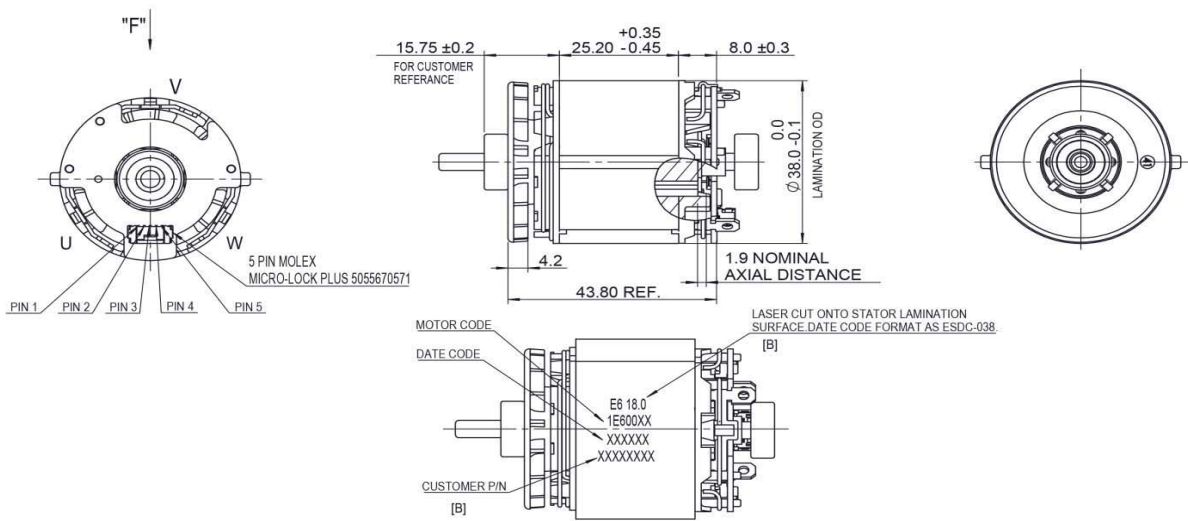
Performance Data:

	No Load	Stall	Max Efficiency	Max Power
Current (A)	2.45	72.00	13.33	37.40
Efficiency (%)	-	-	80.10	52.00
Output Power (hp)	-	-	0.26	0.49
Speed (rpm)	22980.00	-	19400.00	11490.00
Torque (lb.in)	-	5.31	0.84	2.69

Application Examples:

Drill, Screw Driver, Impact Driver, Grinder, Sander

Drawing:



Performance Curves:

