

**Characteristics:**

Brushless DC Motor, Open Frame (Stator-rotor set)

**Specifications:**

Dimensions (mm)	: Ø 38.00 X 57.45 mm
Shaft Diameter (mm)	: Ø 4.000 mm
Input Voltage (V)	: 18.0 V DC
No Load Speed (rpm)	: 22980 rpm
No Load Current (mA)	: 2.45 A
Nominal Speed (rpm)	: 18000 rpm
Nominal Torque (mNm)	: 140.00 mNm
Nominal Current (mA)	: 17.0 A
Stall Torque (mNm)	: 600.00 mNm
Stall Current (A)	: 72.00 A
Maximum Output Power (W)	: 366.00 W
Maximum Efficiency (%)	: 80.00%
Torque at Max Efficiency (mNm)	: 94.5 mNm
Speed at Max Efficiency (rpm)	: 19400 rpm
Life (Typical)	: 250 hr
Weight (g)	: 186.00 g
Operating Temperature Range (°C)	: -10 to 70 °C
Storage Temperature Range (°C)	: -20 to 70 °C
Electrical Connection	: 6-pin connector

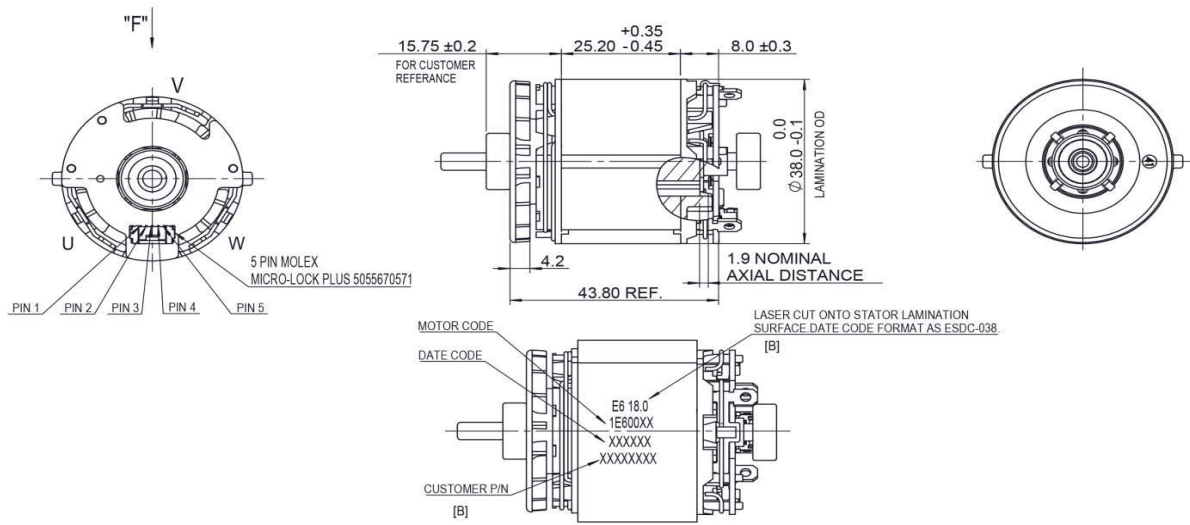
**Performance Data:**

	No Load	Stall	Max. Efficiency	Max. Power
Current (A)	2.45	72.00	13.33	37.40
Efficiency (%)	-	-	80.10	52.00
Output Power (W)	-	-	192.00	366.00
Speed (rpm)	22980.00	-	19400.00	11490.00
Torque (mNm)	-	600.00	94.50	304.00

**Application Examples:**

Drill, Screw Driver, Impact Driver, Grinder, Sander

Drawing:



Performance Curves:

