

Characteristics:

Compact EC Motor, High Power Density, High Efficiency

Specifications:

Shaft Diameter	: Ø 5.000 mm
Input Voltage	: 14.4 V DC
Output Power at Maximum Efficiency	: 250.00 W
Maximum Efficiency	: 83%
Torque at Maximum Efficiency	: 160.00 mNm
Speed at Maximum Efficiency	: 14920 rpm
Weight	: 250 g
Operating Temperature Range	: -10 to 55 °C
Storage Temperature Range	: -20 to 80 °C
Electrcial Connection	: Connection on PCBA

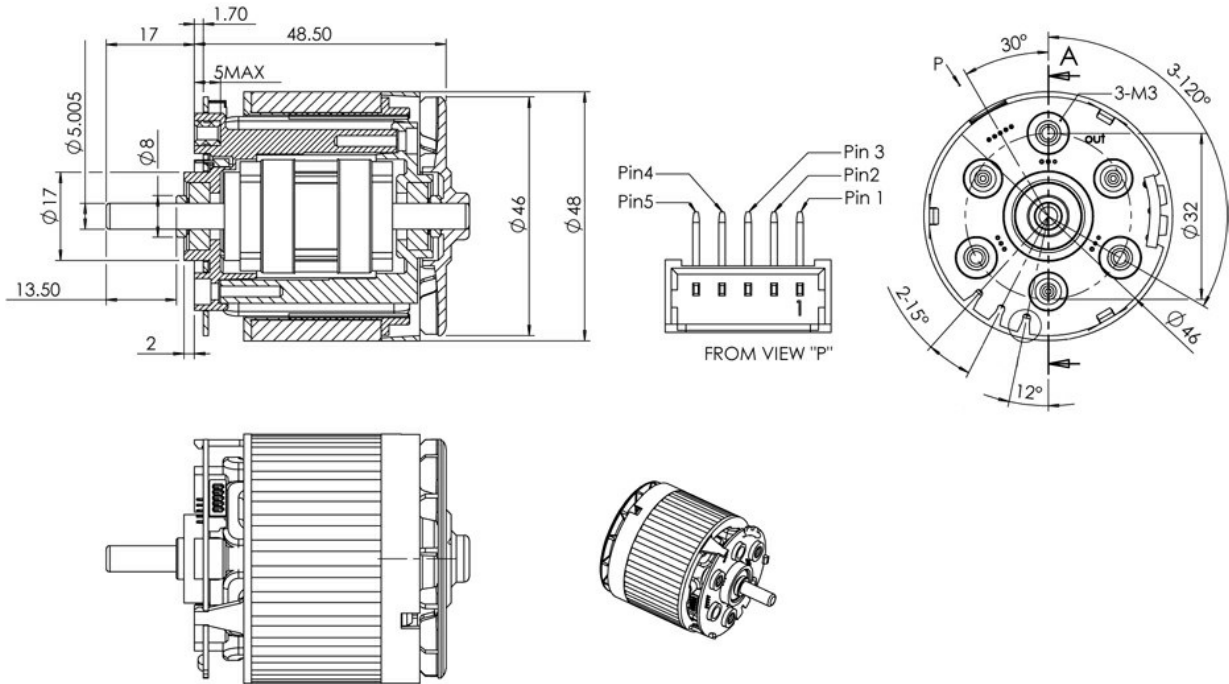
**Performance Data:**

	No Load	Stall	Maximum Efficiency	Maximum Power
Current (A)	2.30	151.00	20.90	75.00
Efficiency (%)	-	-	83	46
Output Power (W)	-	-	250.00	500.00
Speed (rpm)	18500	-	14920	8681
Torque (mNm)	-	1153.00	160.00	550.00

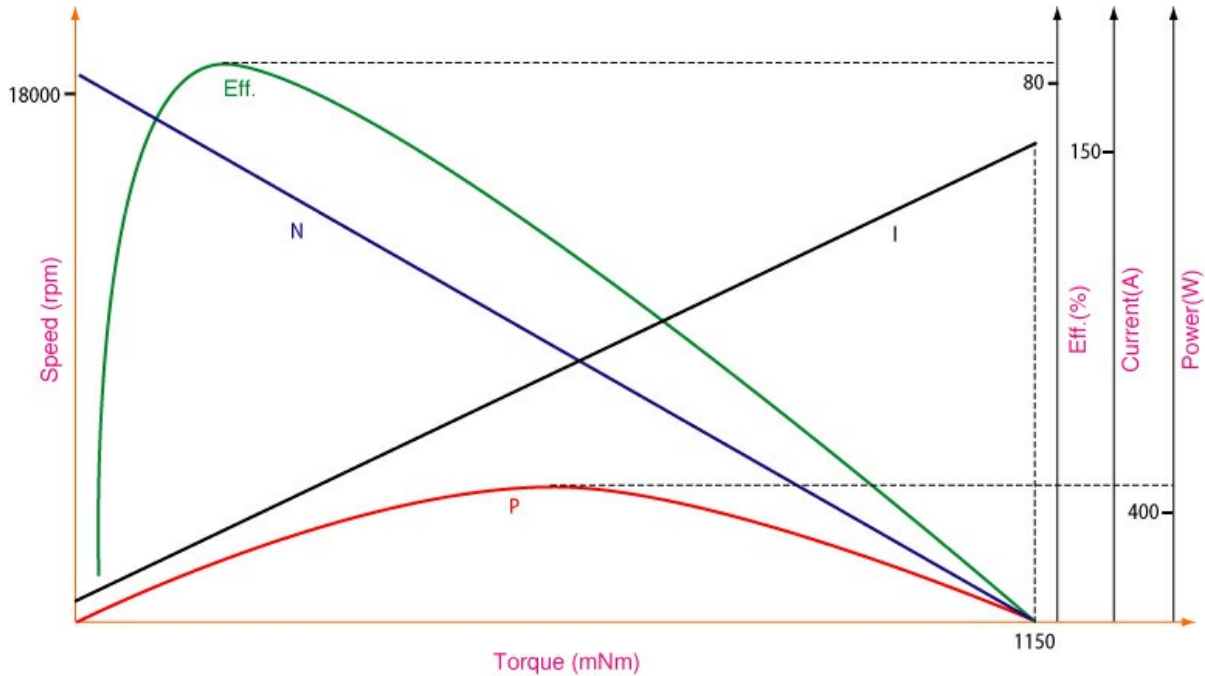
Application Examples:

Drills and Hammer Drills

Outline Drawing:



Performance Curves:



Units in Metric