

Characteristics:

Compact EC Motor, High Power Density, High Efficiency

Specifications:

Shaft Diameter	: Ø 0.197 in
Input Voltage	: 14.4 V DC
Output Power at Maximum Efficiency	: 0.34 hp
Maximum Efficiency	: 83%
Torque at Maximum Efficiency	: 1.42 lb.in
Speed at Maximum Efficiency	: 14920 rpm
Weight	: 9 oz
Operating Temperature Range	: 14 to 131 °F
Storage Temperature Range	: -4 to 176 °F
Electrcial Connection	: Connection on PCBA

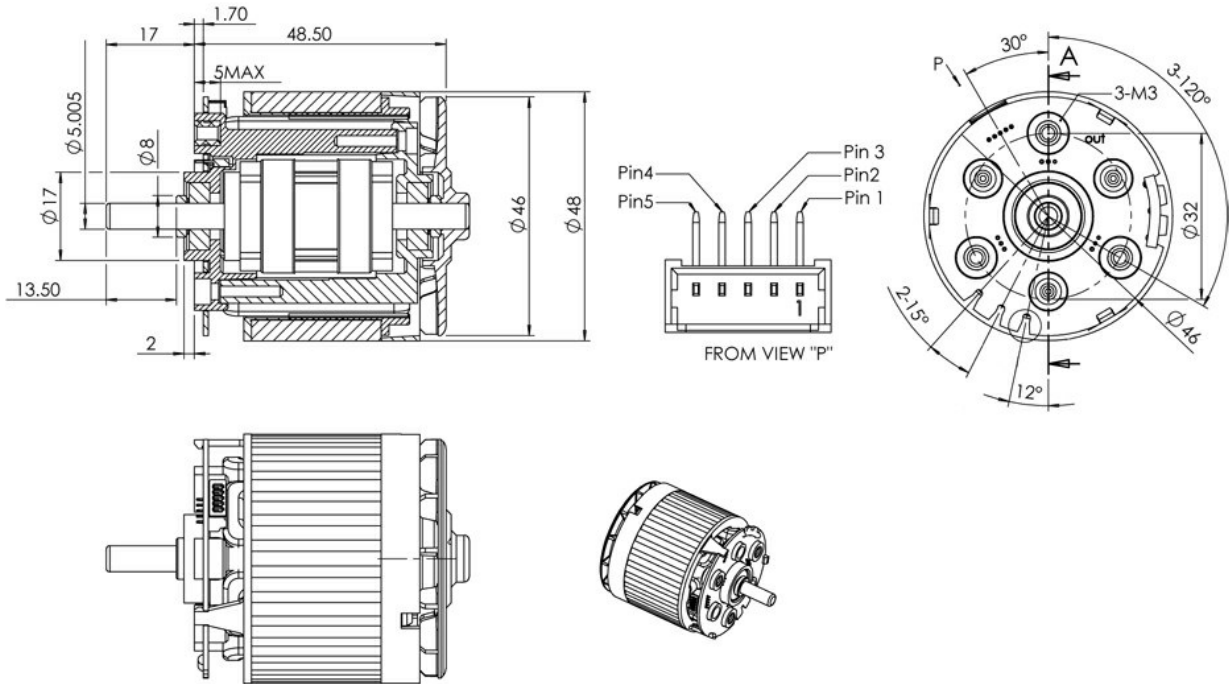
**Performance Data:**

	No Load	Stall	Maximum Efficiency	Maximum Power
Current (A)	2.30	151.00	20.90	75.00
Efficiency (%)	-	-	83	46
Output Power (hp)	-	-	0.34	0.67
Speed (rpm)	18500	-	14920	8681
Torque (Lb.in)	-	10.20	1.42	4.87

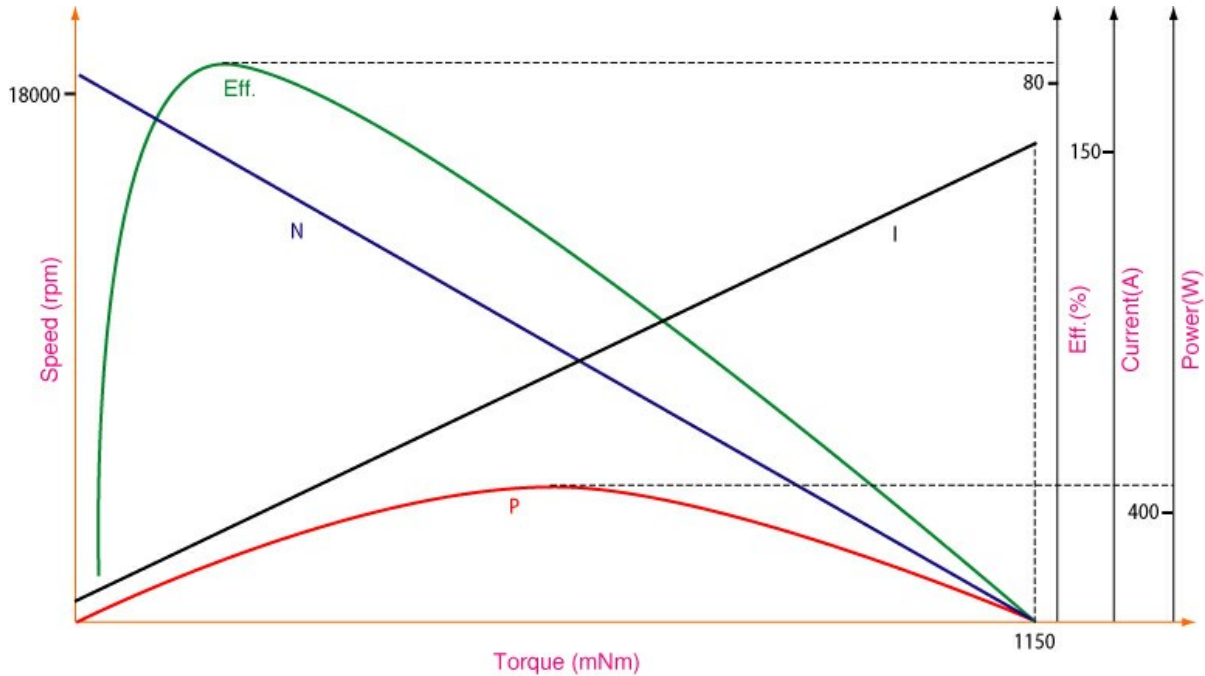
Application Examples:

Drills and Hammer Drills

Outline Drawing:



Performance Curves:



Units in Metric