

**Characteristics:**

High Voltage BLAC Motor

**Specifications:**

Dimensions (mm)	: Ø 60.0 X 54.0 mm
Shaft Diameter (mm)	: Ø 4.005 mm
Input Voltage (V)	: 230.0 V AC
Nominal Speed (rpm)	: 18000 rpm
Nominal Torque (mNm)	: 38.00 mNm
Nominal Current (A)	: 0.82 A
Maximum Output Power (W)	: 72.00 W
Maximum Efficiency (%)	: 75%
Torque (mNm) - Max Eff	: 29.50 mNm
Speed (rpm) - Max Eff	: 20000 rpm
Life (Typical)	: 3000 hr
Weight (g)	: 138 g
Operating Temperature Range (°C)	: -10 to 55 °C
Storage Temperature Range (°C)	: -20 to 80 °C
Electrical Connection	: Lead Wire

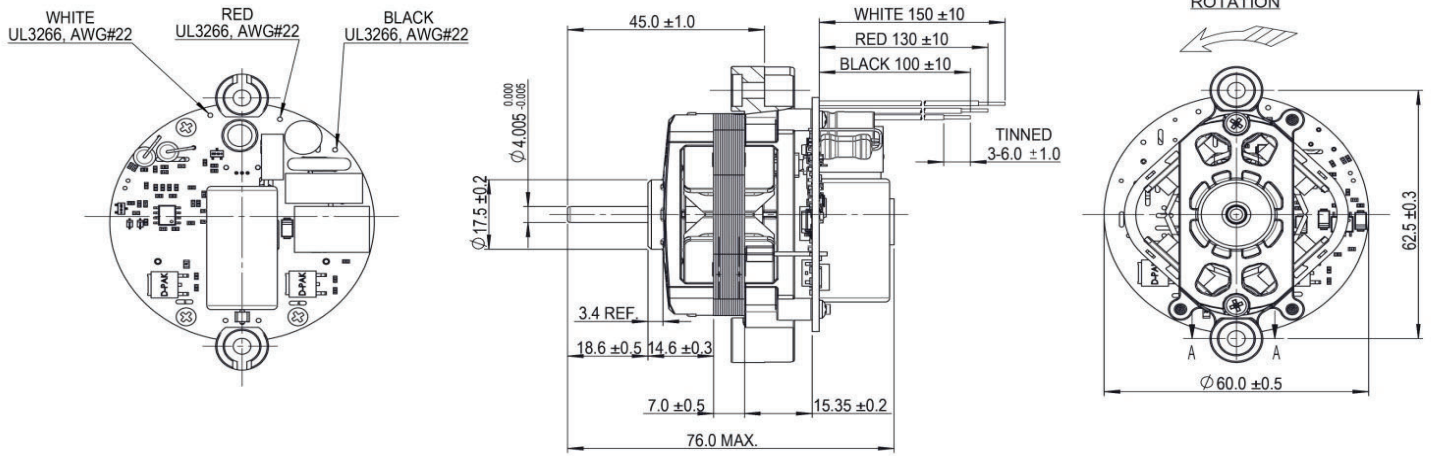
**Performance Data:**

	No Load	Stall	Max Efficiency	Max Power
<b>Current (A)</b>	-	-	0.71	0.82
<b>Efficiency (%)</b>	-	-	70.00	67.60
<b>Output Power (W)</b>	-	-	63.00	72.00
<b>Speed (rpm)</b>	-	-	20000.00	18000.00
<b>Torque (mNm)</b>	-	-	29.50	38.00

**Application Examples:**

Hair Dryers

Drawing:



Performance Curves:

