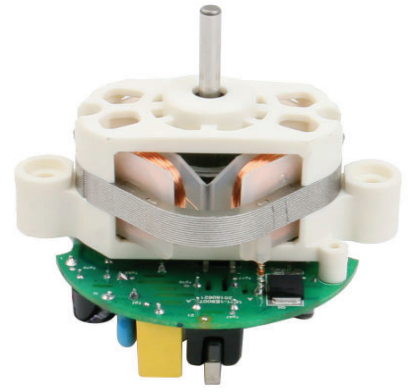


Characteristics:

BLDC Motor



Specifications:

Dimensions (in)	: Ø 2.4 X 2.1 in
Shaft Diameter (in)	: Ø 0.315 in
Input Voltage (V)	: 125.0 V AC
No Load Speed (rpm)	: -
No Load Current (A)	: -
Nominal Speed (rpm)	: 17800 rpm
Nominal Torque (lb.in)	: 0.34 lb.in
Nominal Current (A)	: 1.49 A
Stall Torque (lb.in)	: 4.69 lb.in
Stall Current (A)	: -
Maximum Output Power (hp)	: 0.09 hp
Maximum Efficiency (%)	: 68%
Torque (lb.in) - Max Eff	: 0.28 lb.in
Speed (rpm) - Max Eff	: 20200 rpm
Life (Typical)	: 3000 hr
Weight (oz)	: 4.87 oz
Operating Temperature Range (°F)	: 14 to 131 °F
Storage Temperature Range (°F)	: -4 to 176 °F
Electrical Connection	: Leadwire

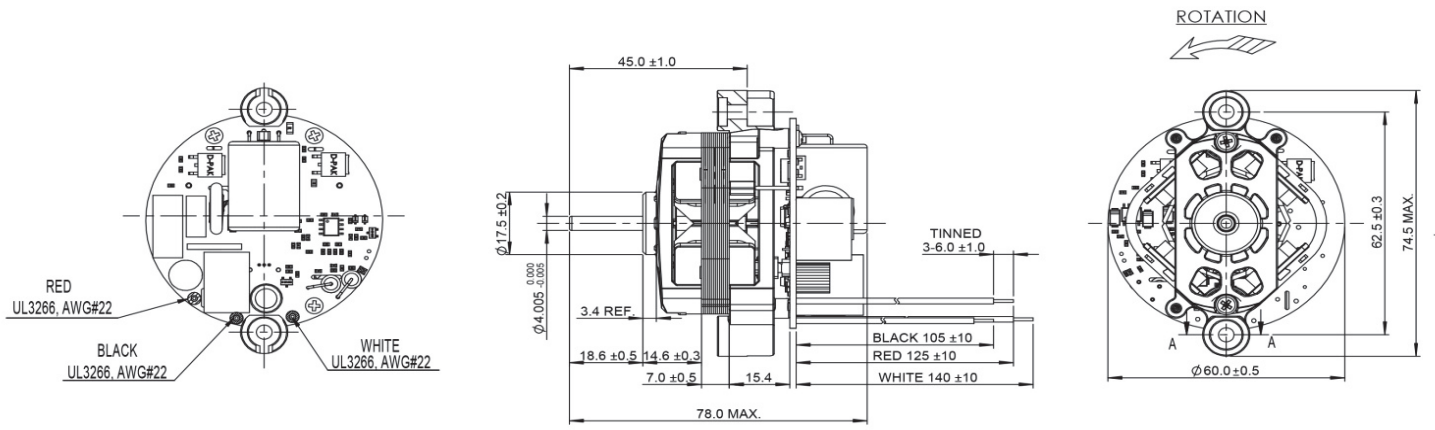
Performance Data:

	No Load	Stall	Max Efficiency	Max Power
Current (A)	-	-	1.37	1.49
Efficiency (%)	-	-	68.00	65.50
Output Power (hp)	-	-	0.09	0.09
Speed (rpm)	-	-	20200.00	17800.00
Torque (lb.in)	-	-	0.28	0.34

Application Examples:

Hair Dryers

Drawing:



Performance Curves:

