

**Characteristics:**

BLDC Motor



**Specifications:**

Dimensions (mm)	: Ø 60.0 X 54.0 mm
Shaft Diameter (mm)	: Ø 0.158 mm
Input Voltage (V)	: 125.0 V AC
No Load Speed (rpm)	: -
No Load Current (A)	: -
Nominal Speed (rpm)	: 17800 rpm
Nominal Torque (mNm)	: 38.00 mNm
Nominal Current (A)	: 1.49 A
Stall Torque (mNm)	: -
Stall Current (A)	: -
Maximum Output Power (W)	: 70.00 W
Maximum Efficiency (%)	: 68%
Torque (mNm) - Max Eff	: 32.00 mNm
Speed (rpm) - Max Eff	: 20200 rpm
Life (Typical)	: 3000 hr
Weight (g)	: 138.00 g
Operating Temperature Range (°C)	: -10 to 55 °C
Storage Temperature Range (°C)	: -20 to 80 °C
Electrical Connection	: Leadwire

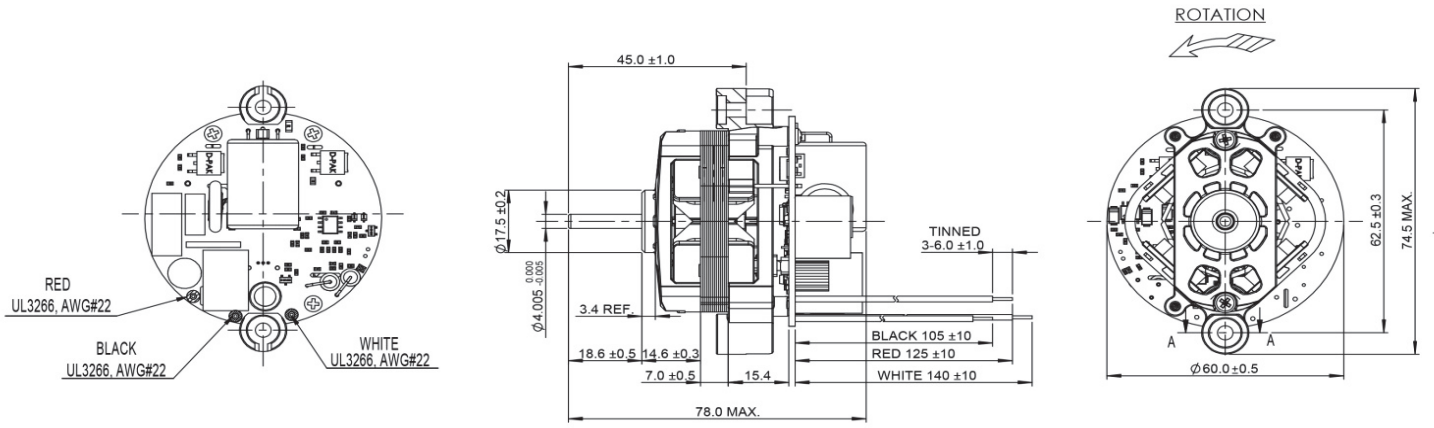
**Performance Data:**

	No Load	Stall	Max Efficiency	Max Power
<b>Current (A)</b>	-	-	1.37	1.49
<b>Efficiency (%)</b>	-	-	68.00	65.50
<b>Output Power (W)</b>	-	-	65.00	70.00
<b>Speed (rpm)</b>	-	-	20200.00	17800.00
<b>Torque (mNm)</b>	-	-	32.00	38.00

**Application Examples:**

Hair Dryers

Drawing:



Performance Curves:

