

Characteristics:

High Power, High Efficiency

Specifications:

Dimensions	: Ø 1.8 X 3.0 in
Shaft Diameter	: Ø 0.197 in
Input Voltage	: 230.0 V DC
Rectified	: Rectified
No Load Speed	: 14751 rpm
Maximum Efficiency	: 70%
Speed at Maximum Efficiency	: 11558 rpm
Other Features	: Plate rating power 850Wi for 5-10 seconds
Life Test Condition	: 55
Weight	: 15 oz
Operating Temperature Range	: 14 to 131 °F
Storage Temperature Range	: -4 to 176 °F
Electrical Connection	: Terminal



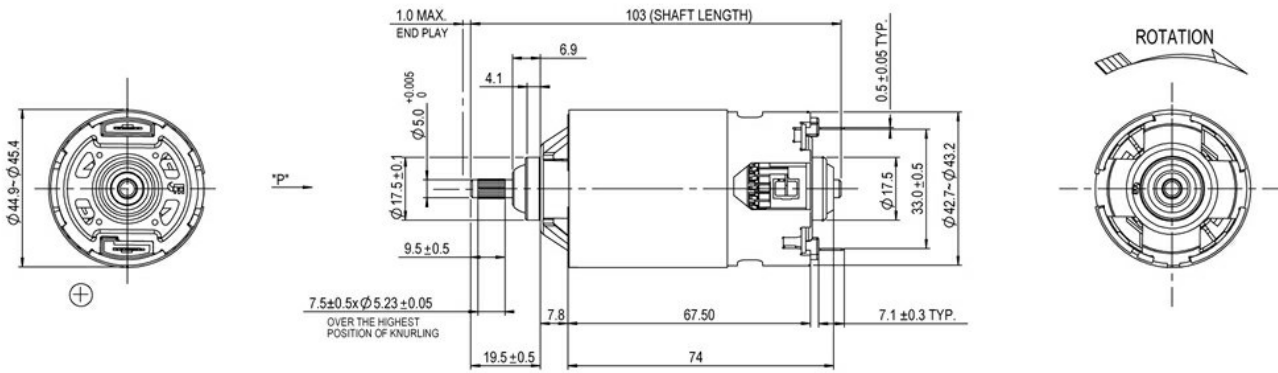
Performance Data:

	No Load	Stall	Maximum Efficiency	Maximum Power
Current (A)	0.13	-	0.89	-
Efficiency (%)	-	-	70	-
Output Power (hp)	-	-	0.16	-
Speed (rpm)	14751	-	11558	-
Torque (Lb.in)	-	-	0.87	-

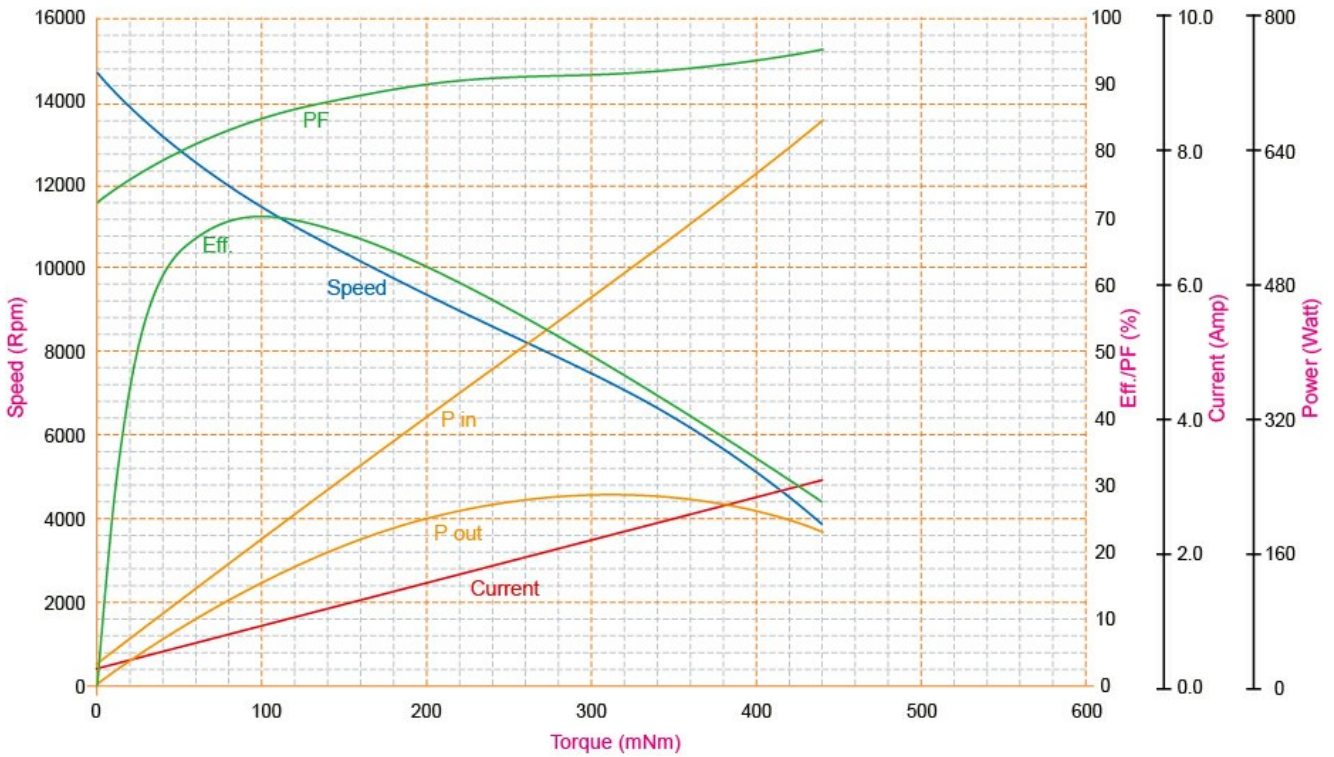
Application Examples:

Hand Blenders

Outline Drawing:



Performance Curves:



Units in Metric