

Characteristics:

Compact, low weight, low noise, low power budget



Specifications:

Package Dimension	: Ø 43.3 X 129.2 X 88.2 mm
Input Voltage	: 13.0 V DC
No Load Speed	: 130.8 rpm
No Load Current	: 1.4 A
Maximum Output Power	: 36.3 W
Stall Torque	: 9.8 Nm
Life	: 20,000 cycles
Weight	: ~ 550 g
Operation Temperature	: -40 to 85 °C
Storage Temperature	: -40 to 100 °C
Certification	: RoHS

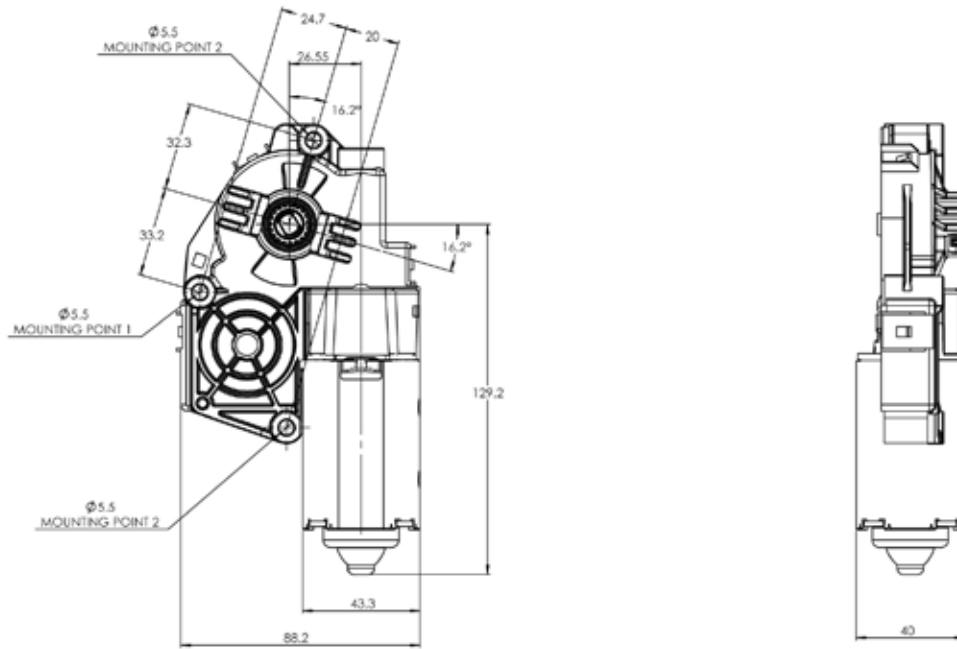
Performance Data:

	No Load	Stall	Max Eff	Max Power
Speed (rpm)	130.8	-	104	65
Current (A)	1.4	20.9	5.6	11.9
Torque (Nm)	-	9.8	2.1	5.3
Output Power (W)	-	-	23.2	36.3

Application Examples:

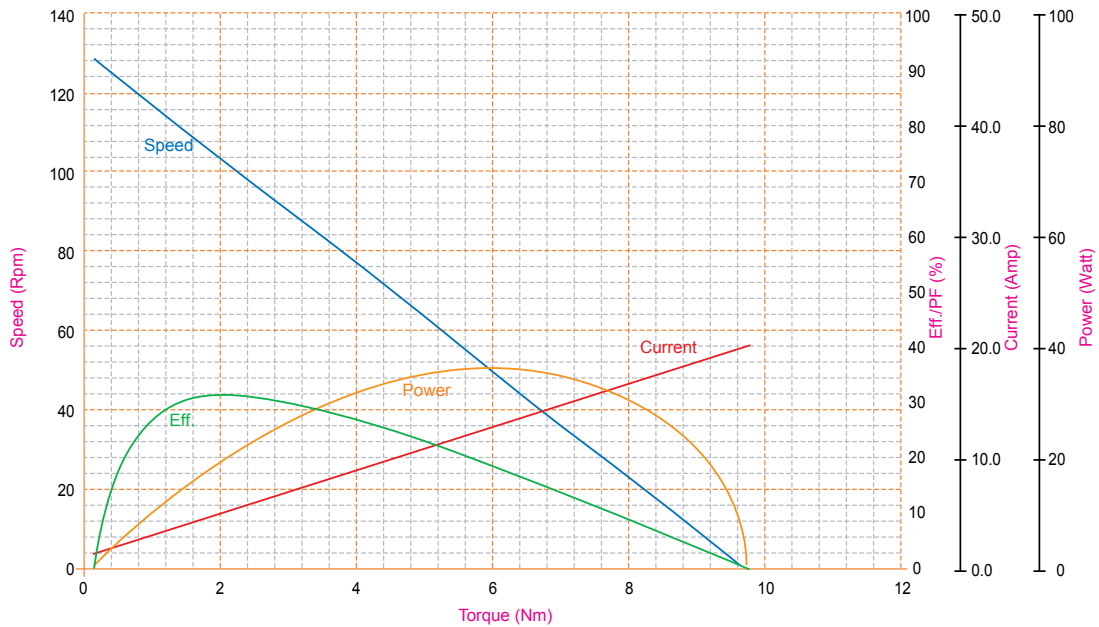
Sunroof Drives

Drawing:



Unit in mm

Performance Curve:



Unit in metric