

## Characteristics:

Compact, low weight, low noise, low power budget



## Specifications:

Package Dimension	: Ø 43.3 X 129.2 X 88.2 mm
Input Voltage	: 13.0 V DC
No Load Speed	: 118.0 rpm
No Load Current	: 1.7 A
Maximum Output Power	: 27.1 W
Stall Torque	: 8.1 Nm
Life	: 20,000 cycles
Weight	: ~ 550 g
Operation Temperature	: -40 to 85 °C
Storage Temperature	: -40 to 100 °C
Certification	: RoHS

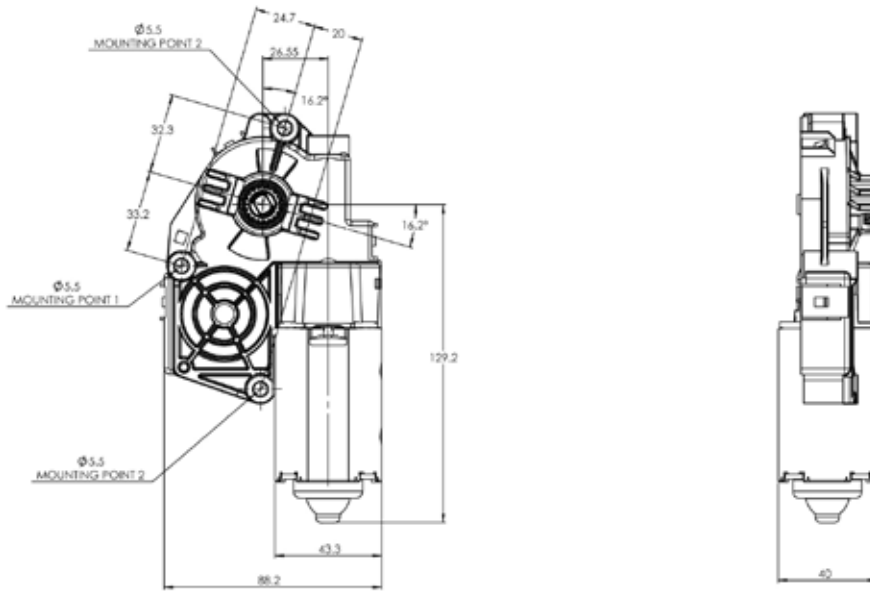
## Performance Data:

	No Load	Stall	Max Eff	Max Power
Speed (rpm)	118.0	-	88.6	57.5
Current (A)	1.7	17.3	5.4	9.8
Torque (Nm)	-	8.1	2.0	4.5
Output Power (W)	-	-	19.2	27.1

## Application Examples:

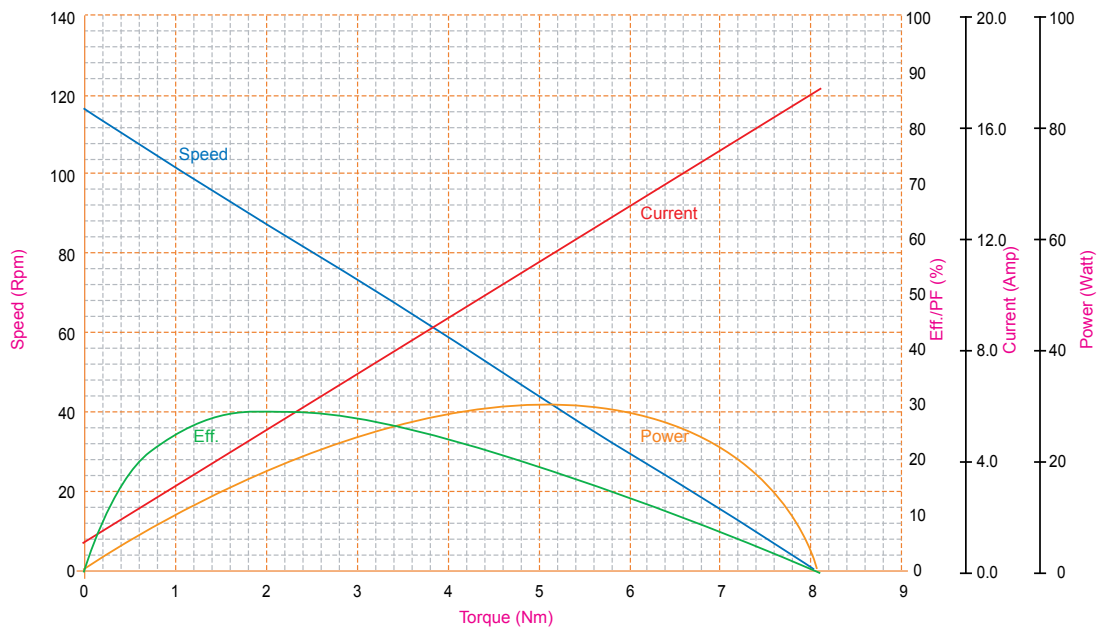
Sunroof Drives

## Drawing:



Unit in mm

## Performance Curve:



Unit in metric