

Characteristics:

Brushless DC Motor, Outer rotor

**Specifications:**

Dimensions (mm)	: Ø 66.0 X 40.0 mm
Shaft Diameter (mm)	: Ø 6.000 mm
Input Voltage (V)	: 230.0 V AC (To controller)
No Load Speed (rpm)	: 3900 rpm
No Load Current (A)	: 0.13 A
Nominal Speed (rpm)	: 2900 rpm
Nominal Torque (mNm)	: 180.00 mNm
Nominal Current (mA)	: 0.83 A
Maximum Output Power (W)	: 73.00 W
Maximum Efficiency (%)	: 76.50%
Torque at Max Efficiency (mNm)	: 190.00 mNm
Speed at Max Efficiency (rpm)	: 2850 rpm
Life (Typical)	: 10000 hr
Weight (g)	: 470.00 g
Operating Temperature Range (°C)	: 0 to 60 °C
Storage Temperature Range (°C)	: -20 to 70 °C
Electrical Connection	: 3-pin power connector, 2-pin thermal protector

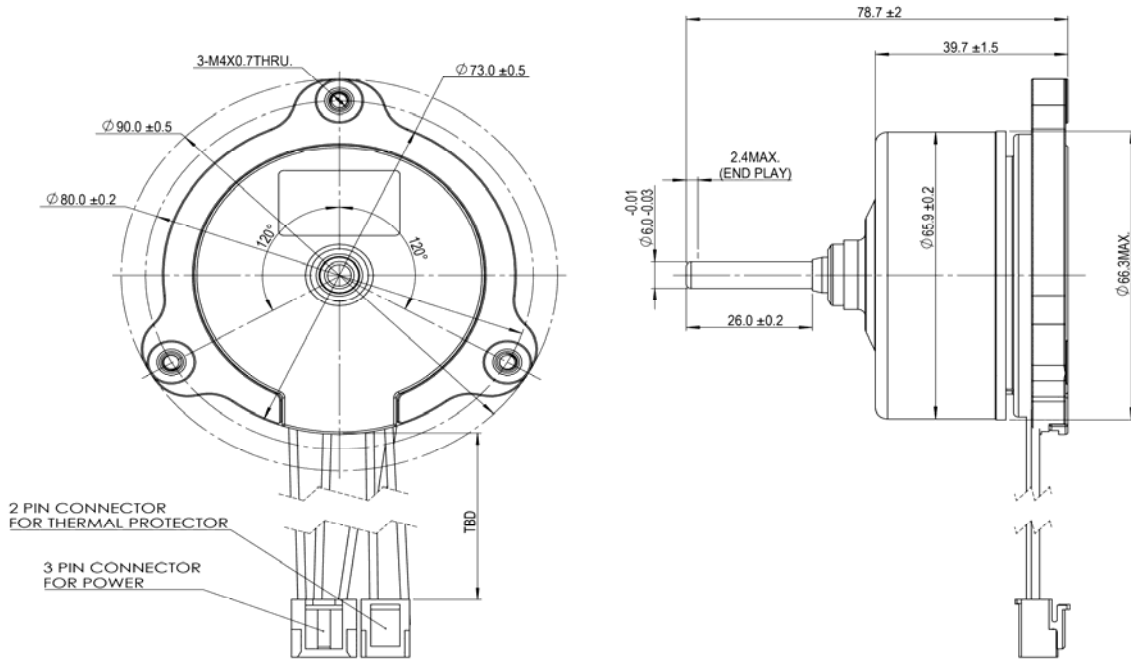
Performance Data:

	No Load	Max. Efficiency	Max. Power
Current (A)	0.13	0.87	1.50
Efficiency (%)	-	76.50	49.00
Output Power (W)	-	57.00	73.00
Speed (rpm)	3900.00	2850.00	2000.00
Torque (mNm)	-	190.00	350.00

Application Examples:

Range Hood Fans, Exhaust Fans, Ventilation

Drawing:



Performance Curves:

