

**Characteristics:**

High power EC motor

**Specifications:**

Dimensions (mm)	: Ø 48.0 X 72.0 mm
Shaft Diameter (mm)	: Ø 5.000 mm
Input Voltage (V)	: 32.0 V DC
No Load Speed (rpm)	: 27000 rpm
No Load Current (A)	: 4.25 A
Nominal Speed (rpm)	: 23800 rpm
Nominal Torque (mNm)	: 408.00 mNm
Nominal Current (A)	: 38.20 A
Stall Torque (mNm)	: 3453.00 mNm
Stall Current (A)	: 284.90 A
Maximum Output Power (W)	: 2440.00 W
Maximum Efficiency (%)	: 84%
Torque (mNm) - Max Eff	: 408.00 mNm
Speed (rpm) - Max Eff	: 2850 rpm
Life (Typical)	: 2000 hr
Weight (g)	: 530 g
Operating Temperature Range (°C)	: -10 to 65 °C
Storage Temperature Range (°C)	: -40 to 85 °C
Electrical Connection	: Leadwire and connector

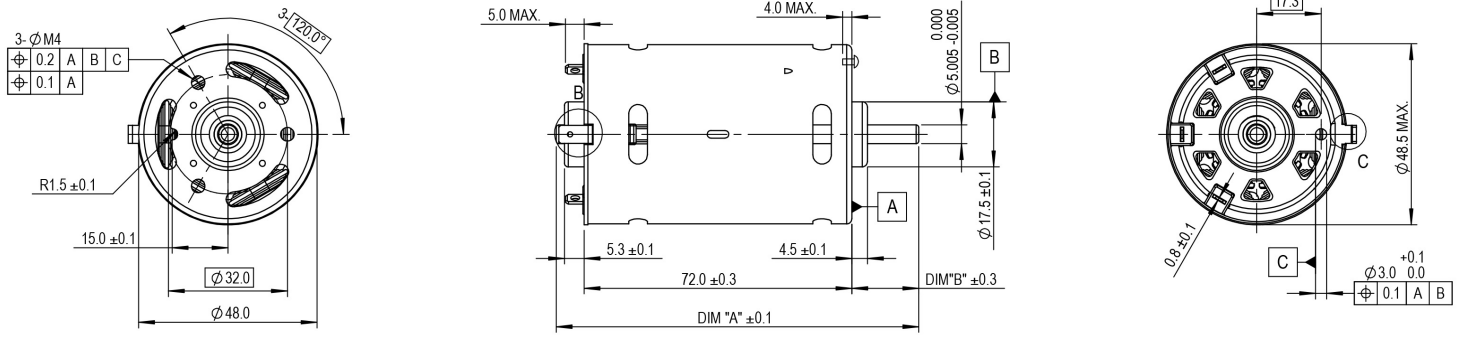
**Performance Data:**

	No Load	Stall	Max Efficiency	Max Power
<b>Current (A)</b>	4.25	284.90	38.20	145.00
<b>Efficiency (%)</b>	-	-	84.00	52.00
<b>Output Power (W)</b>	-	-	1019.00	2440.00
<b>Speed (rpm)</b>	27000.00	-	23800.00	13498.00
<b>Torque (mNm)</b>	-	3453.00	408.00	1726.50

**Application Examples:**

Blowers, Hedge Trimmers, String Trimmers

Drawing:



Performance Curves:

