

133 mm Metal Forward Centrifugal Fan

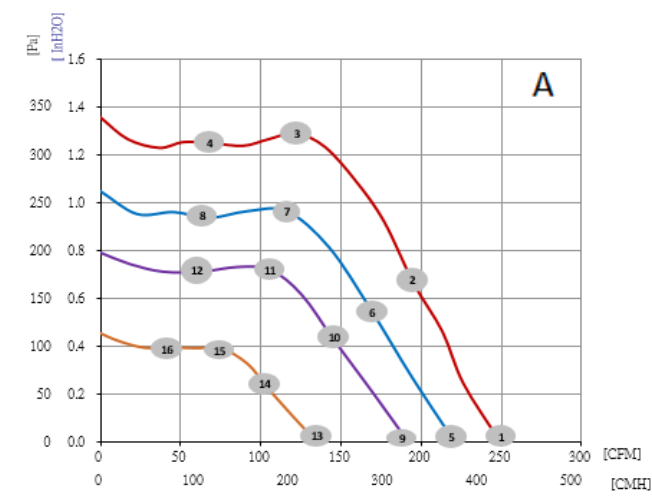
Specification:

- Material: Impeller: Metal
Rotor: Zinc Plating Steel
Electronics housing: Die-cast aluminium
- Number of blades: 36
- Direction of rotation: Counter Clockwise viewed toward rotor
- Insulation class: "B"
- Installation position: Any
- Degree of protection: IP54
- Condensation drainage holes: None
- Mode: Continuous operation (S1)
- Mounting: Maintenance-free ball bearings
- Technical features: Controller input PWM/0-10V
- Cable exit: Variable
- Protection class: I (with customer connection of protective earth)
- Conformity with standards: EN 60335-1
- Weight: 1.34KG



Performance:

Nominal data	Platform	Curve	Nominal voltage range	Frequency	Speed*	Max input power*	Max input current*	Operating ambient temp	Life time	PWM/ 0-10V
Type	Motor		VAC	Hz	rpm	W	A	°C	Hr	
ECO133DF235072212 ECO133DF235072210	OD72	A	230	50 / 60	2710	120	0.96	-20 to +60	40,000	●



	n (rpm)	P1 (W)	I (A)	η (%)	P (Pa)	P (inH ₂ O)	Q (CMH)	Q (CFM)
①	2710	121	0.96	—	0	0	424	250
②	2710	90	0.75	16.8	164	0.66	333	196
③	2710	59	0.52	31.3	320	1.29	207	122
④	2710	41	0.38	24.6	310	1.25	118	69
⑤	2380	85	0.71	—	0	0	372	219
⑥	2380	64	0.56	17.0	137	0.55	286	168
⑦	2380	47	0.42	28.0	240	0.96	197	116
⑧	2380	34	0.32	21.9	233	0.93	115	68
⑨	2090	61	0.53	—	0	0	325	191
⑩	2090	47	0.42	15.6	107	0.43	247	145
⑪	2090	36	0.34	24.8	179	0.72	180	106
⑫	2090	28	0.27	18.9	177	0.71	107	63
⑬	1520	30	0.28	—	0	0	231	136
⑭	1520	25	0.25	11.2	58	0.23	176	103
⑮	1520	21	0.22	16.4	97	0.39	128	75
⑯	1520	18	0.19	11.3	98	0.39	77	45

133 mm Metal Forward Centrifugal Fan

Drawing:

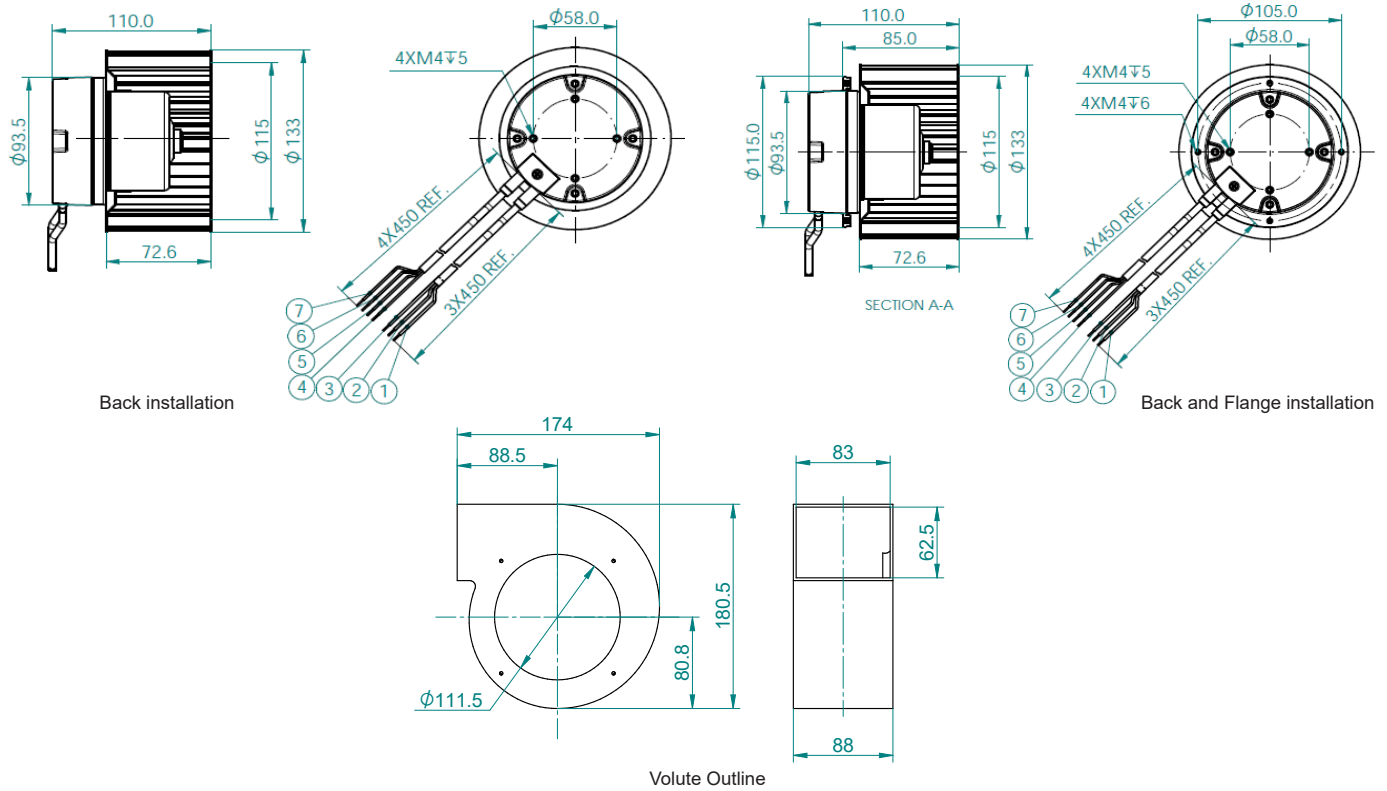
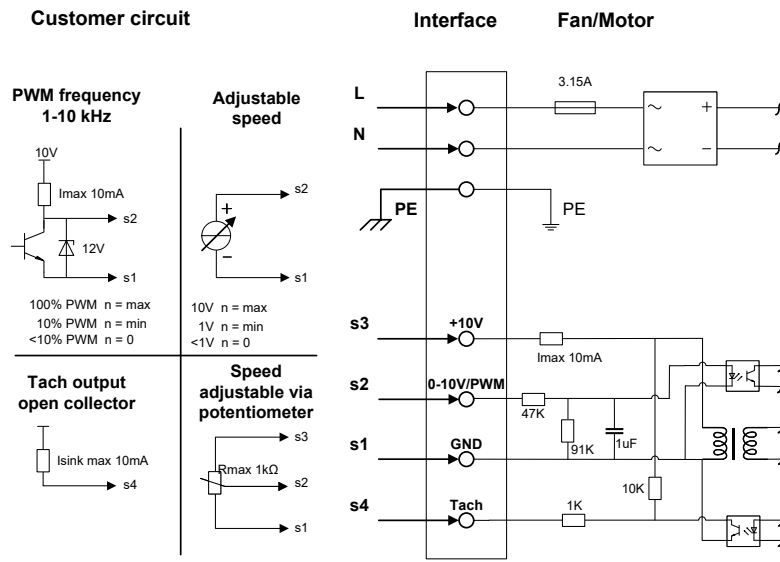


Diagram:



No.	DESIGNATION	COLOR	ASSIGNMENT
1	L	BROWN	POWER SUPPLY
2	N	BULE	NEUTRAL
3	PE	GREEN/YELLOW	GROUND CONNECTION
4	GND	BLACK	GND CONNECTION FOR CONTROL INTERFACE, SELV
5	PWM/0-10V	YELLOW	CONTROL INPUT PWM/0-10V, SELV
6	TACH	WHITE	TACH OUT, SELV
7	+10V	RED	VOLTAGE OUTPUT 10 VDC, SELV