

# 140 mm Metal Forward Centrifugal Fan

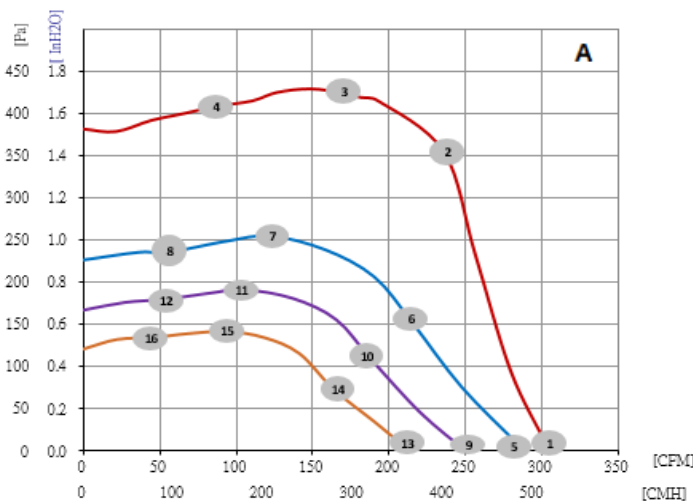
## Specification:

- Material: Impeller: Metal  
Rotor: Zinc Plating Steel  
Electronics housing: Die-cast aluminium
- Number of blades: 38
- Direction of rotation: Counter Clockwise viewed toward rotor
- Insulation class: "B"
- Installation position: Any
- Degree of protection: IP54
- Condensation drainage holes: None
- Mode: Continuous operation (S1)
- Mounting: Maintenance-free ball bearings
- Technical features: Controller input PWM/0-10V
- Cable exit: Variable
- Protection class: I (with customer connection of protective earth)
- Conformity with standards: UL
- Weight: 1.37KG



## Performance:

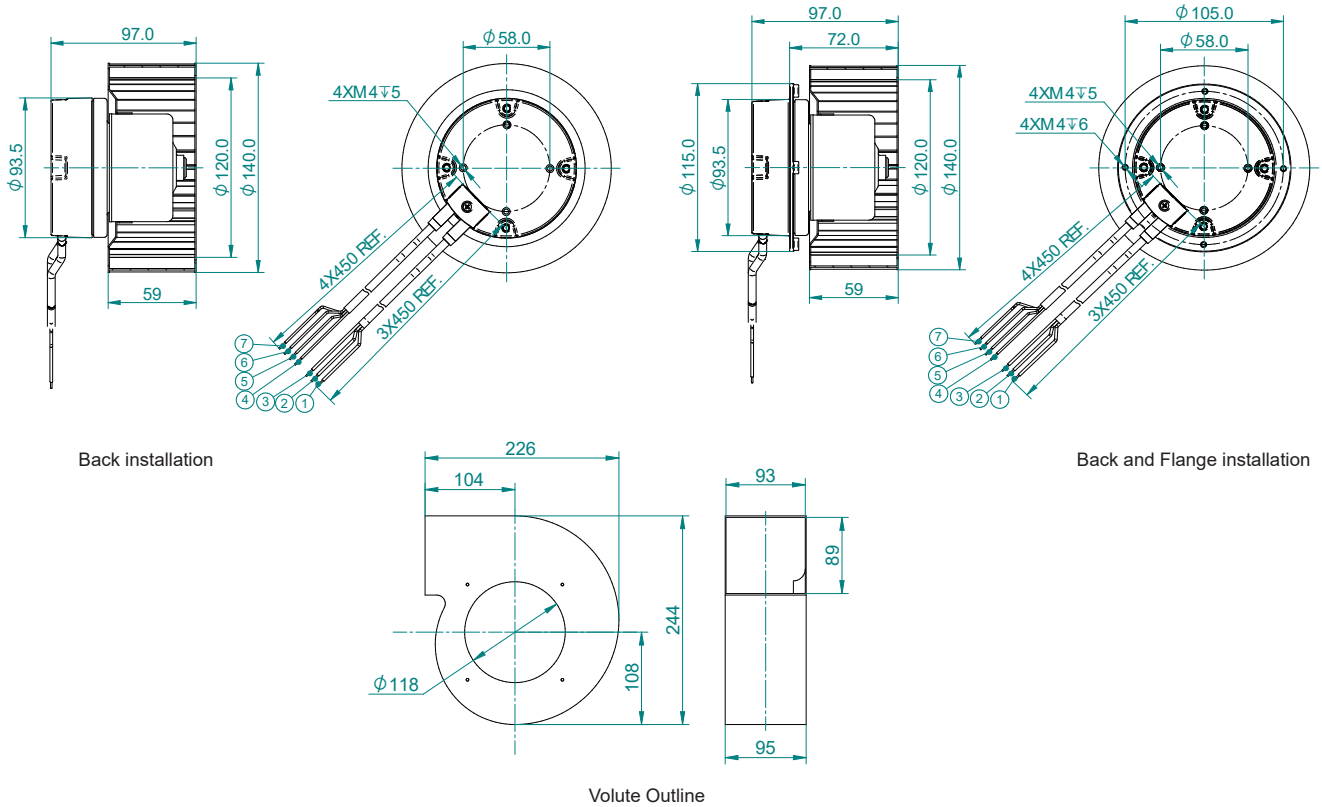
Nominal data	Platform	Curve	Nominal voltage range	Frequency	Speed*	Max input power*	Max input current*	Operating ambient temp	Life time	PWM/0-10V
Type	Motor		VAC	Hz	rpm	W	A	°C	Hr	
ECO140DF126072212 ECO140DF126072210	OD72	A	120	50 / 60	2280	130	1.76	-20 to +60	40,000	●



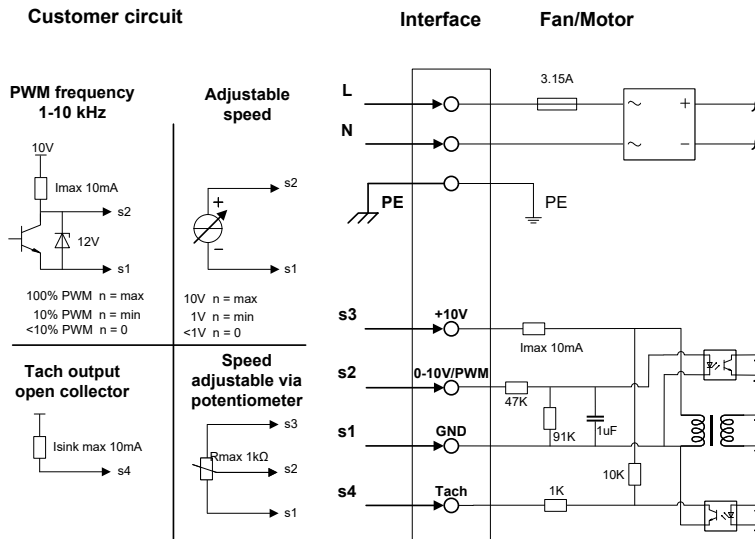
	n (rpm)	P1 (W)	I (A)	η (%)	P (Pa)	P (InH <sub>2</sub> O)	Q (CMH)	Q (CFM)
①	2260	132	1.76	—	0	0	519	306
②	2690	131	1.76	29.9	352	1.41	402	237
③	2710	91	1.27	37.2	422	1.69	289	170
④	2710	54	0.82	31.2	407	1.63	151	89
⑤	2120	110	1.5	—	0	0	487	287
⑥	2120	76	1.09	20.2	151	0.61	366	216
⑦	2120	42	0.65	35.3	255	1.02	208	123
⑧	2120	24	0.4	26.1	236	0.95	95	56
⑨	1850	72	1.04	—	0	0	424	250
⑩	1850	51	0.76	18.9	108	0.43	321	189
⑪	1850	29	0.47	32.8	191	0.77	178	105
⑫	1850	19	0.32	24.8	180	0.72	93	55
⑬	1580	45	0.68	—	0	0	363	214
⑭	1580	34	0.54	16.5	73	0.29	278	164
⑮	1580	20	0.34	30.8	141	0.57	160	94
⑯	1580	13	0.23	23.0	134	0.54	79	47

# 140 mm Metal Forward Centrifugal Fan

## Drawing:



## Diagram:



No.	DESIGNATION	COLOR	ASSIGNMENT
1	L	BROWN	POWER SUPPLY
2	N	BLUE	NEUTRAL
3	PE	GREEN/YELLOW	GROUND CONNECTION
4	GND	BLACK	GND CONNECTION FOR CONTROL INTERFACE, SELV
5	PWM/0-10V	YELLOW	CONTROL INPUT PWM/0-10V, SELV
6	TACH	WHITE	TACH OUT, SELV
7	+10V	RED	VOLTAGE OUTPUT 10 VDC, SELV