

140 mm Metal Forward Centrifugal Fan

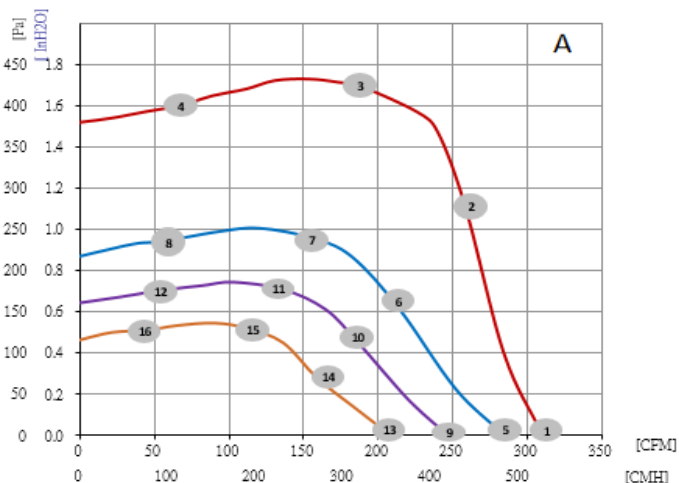
Specification:

- Material: Impeller: Metal
Rotor: Zinc Plating Steel
Electronics housing: Die-cast aluminium
- Number of blades: 38
- Direction of rotation: Counter Clockwise viewed toward rotor
- Insulation class: "B"
- Installation position: Any
- Degree of protection: IP54
- Condensation drainage holes: None
- Mode: Continuous operation (S1)
- Mounting: Maintenance-free ball bearings
- Technical features: Controller input PWM/0-10V
- Cable exit: Variable
- Protection class: I (with customer connection of protective earth)
- Conformity with standards: EN 60335-1
- Weight: 1.37KG



Performance:

Nominal data	Platform	Curve	Nominal voltage range	Frequency	Speed*	Max input power*	Max input current*	Operating ambient temp	Life time	PWM/0-10V
Type	Motor		VAC	Hz	rpm	W	A	°C	Hr	
ECO140DF235072212 ECO140DF235072210	OD72	A	230	50 / 60	2280	130	1.06	-20 to +60	40,000	●



	n (rpm)	P1 (W)	I (A)	η (%)	P (Pa)	P (inH ₂ O)	Q (CMH)	Q (CFM)
①	2280	136	1.06	0	0	0	527	310
②	2600	137	1.06	24.7	277	1.11	439	259
③	2710	103	0.83	36.4	422	1.69	321	189
④	2710	51	0.45	24.6	399	1.60	114	67
⑤	2100	106	0.86	—	0	0	483	284
⑥	2100	79	0.66	19.6	153	0.62	364	214
⑦	2110	58	0.5	30.3	238	0.96	266	157
⑧	2100	32	0.3	19.3	234	0.94	94	56
⑨	1820	73	0.62	—	0	0	419	247
⑩	1820	54	0.48	18.2	112	0.45	317	187
⑪	1820	42	0.38	26.9	176	0.71	232	137
⑫	1820	27	0.25	16.9	175	0.70	92	54
⑬	1540	47	0.42	—	0	0	355	209
⑭	1540	38	0.35	13.8	70	0.28	271	160
⑮	1540	30	0.28	23.2	130	0.52	191	113
⑯	1540	21	0.21	12.9	128	0.51	77	45

140 mm Metal Forward Centrifugal Fan

Drawing:

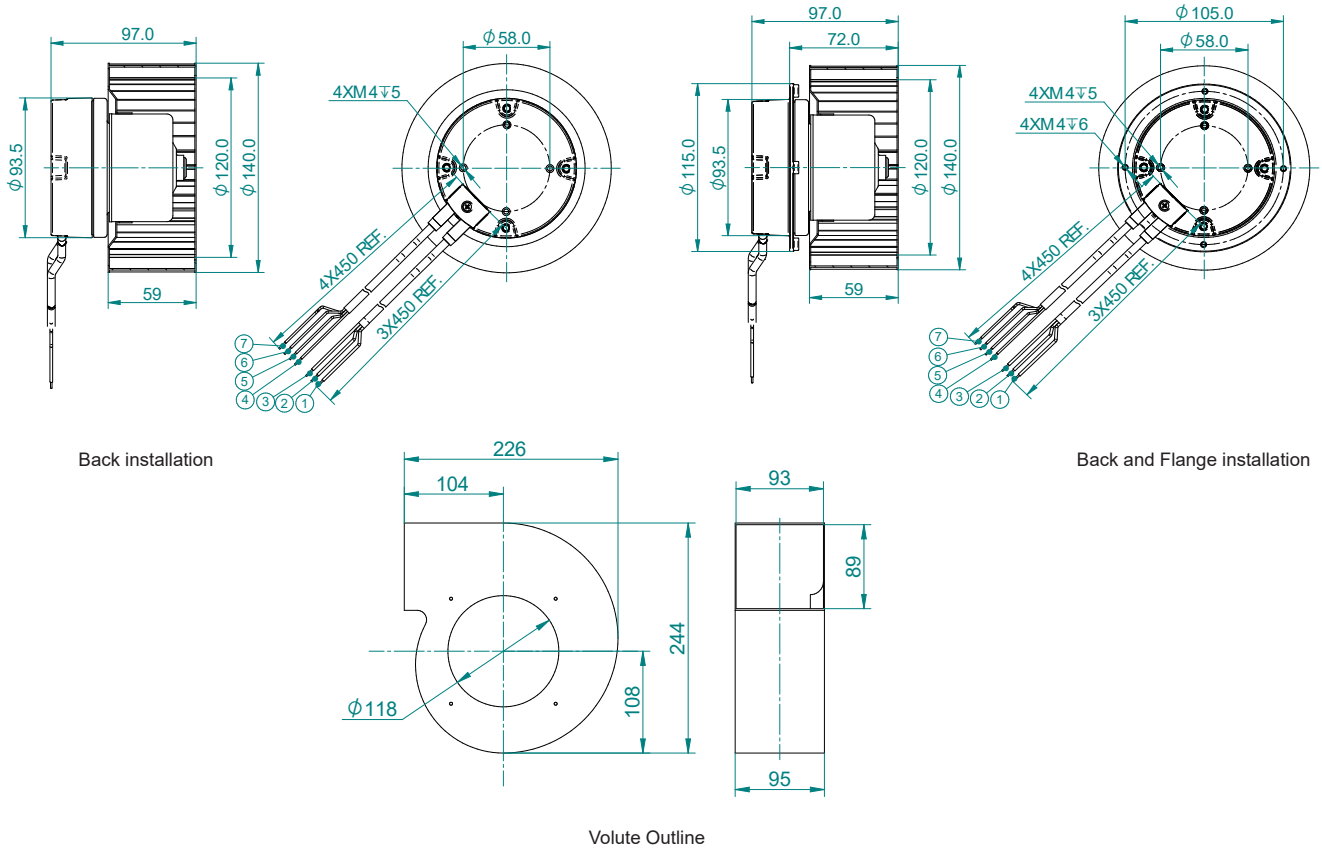
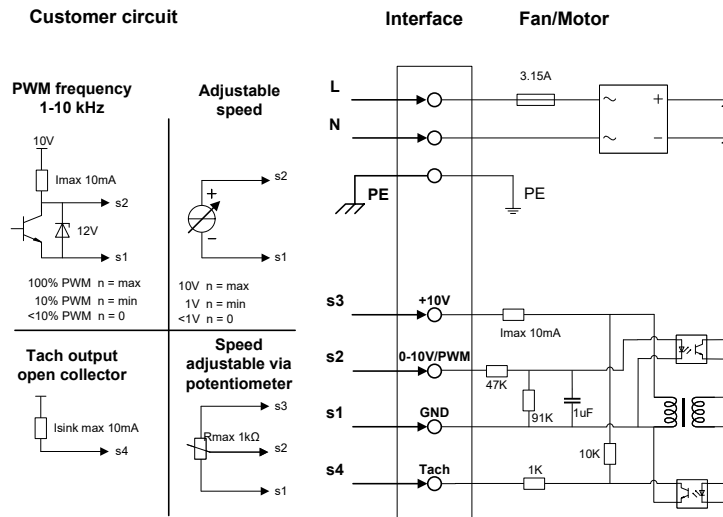


Diagram:



No.	DESIGNATION	COLOR	ASSIGNMENT
1	L	BROWN	POWER SUPPLY
2	N	BLUE	NEUTRAL
3	PE	GREEN/YELLOW	GROUND CONNECTION
4	GND	BLACK	GND CONNECTION FOR CONTROL INTERFACE, SELV
5	PWM/0-10V	YELLOW	CONTROL INPUT PWM/0-10V, SELV
6	TACH	WHITE	TACH OUT, SELV
7	+10V	RED	VOLTAGE OUTPUT 10 VDC, SELV