

Characteristics:

new finger leaf design with zero end play

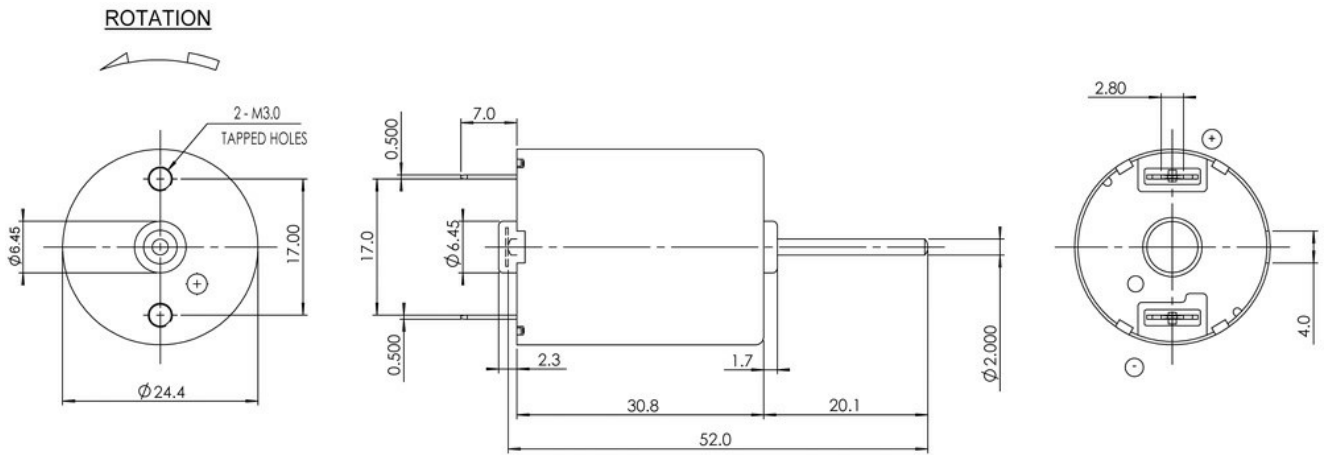
Specifications:

Dimensions	: Ø 24.2 X 52.0 mm
Shaft Diameter	: Ø 2.000 mm
Input Voltage	: 11.0 V DC
No Load Speed	: 2388 rpm
Stall Torque	: 7.69 mNm
Maximum Output Power	: 0.48 W
Maximum Efficiency	: 50%
Weight	: 50 g
Operating Temperature Range	: -40 to 85 °C
Storage Temperature Range	: -40 to 85 °C
Electrcial Connection	: Male Terminal

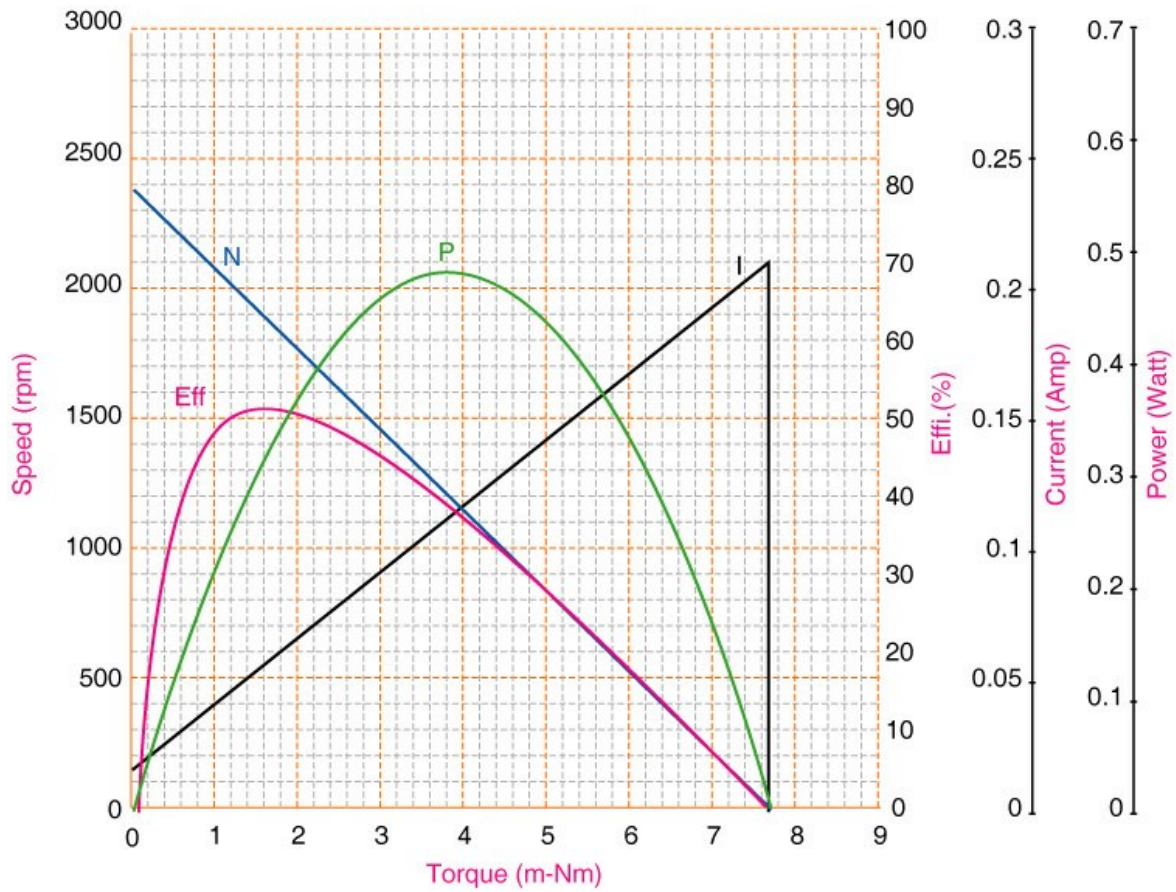
**Performance Data:**

	No Load	Stall	Maximum Efficiency	Maximum Power
Current (A)	0.02	0.21	0.06	0.11
Efficiency (%)	-	-	50	-
Output Power (W)	-	-	0.32	0.48
Speed (rpm)	2388	-	1876	1194
Torque (mNm)	-	7.69	1.65	3.84

Outline Drawing:



Performance Curves:



Units in Metric