

Specifications:

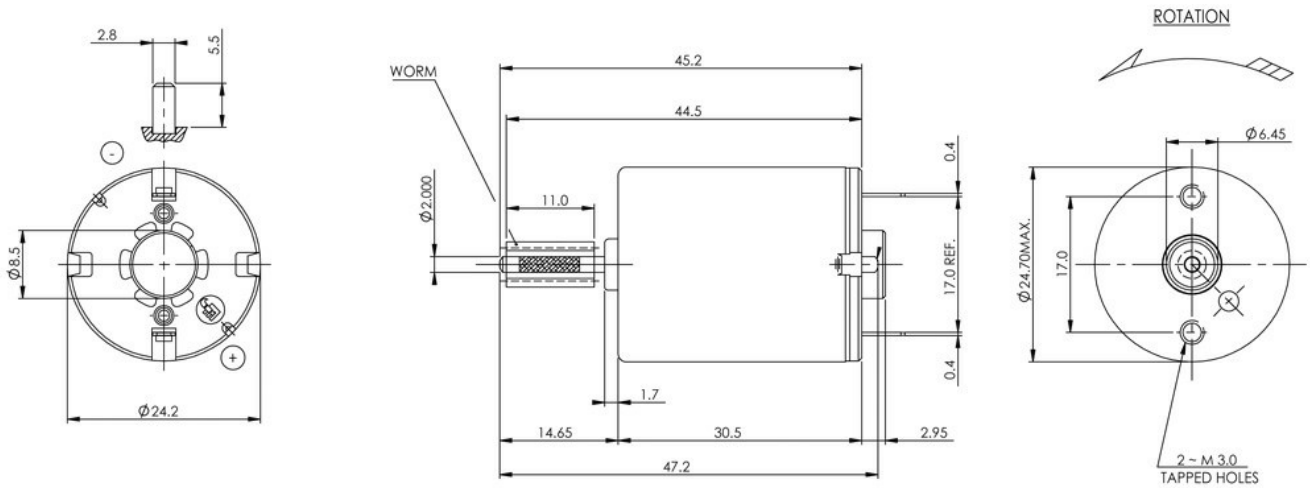
Dimensions	: Ø 0.952754 X 1.85826 in
Shaft Diameter	: Ø 0.079 in
Input Voltage	: 13.0 V DC
No Load Speed	: 2883 rpm
Stall Torque	: 0.08 lb.in
Maximum Output Power	: 0.00
Maximum Efficiency	: 52%
Weight	: 2 oz
Operating Temperature Range	: -40 to 185 °F
Storage Temperature Range	: -40 to 185 °F
Electrcial Connection	: Male Terminal



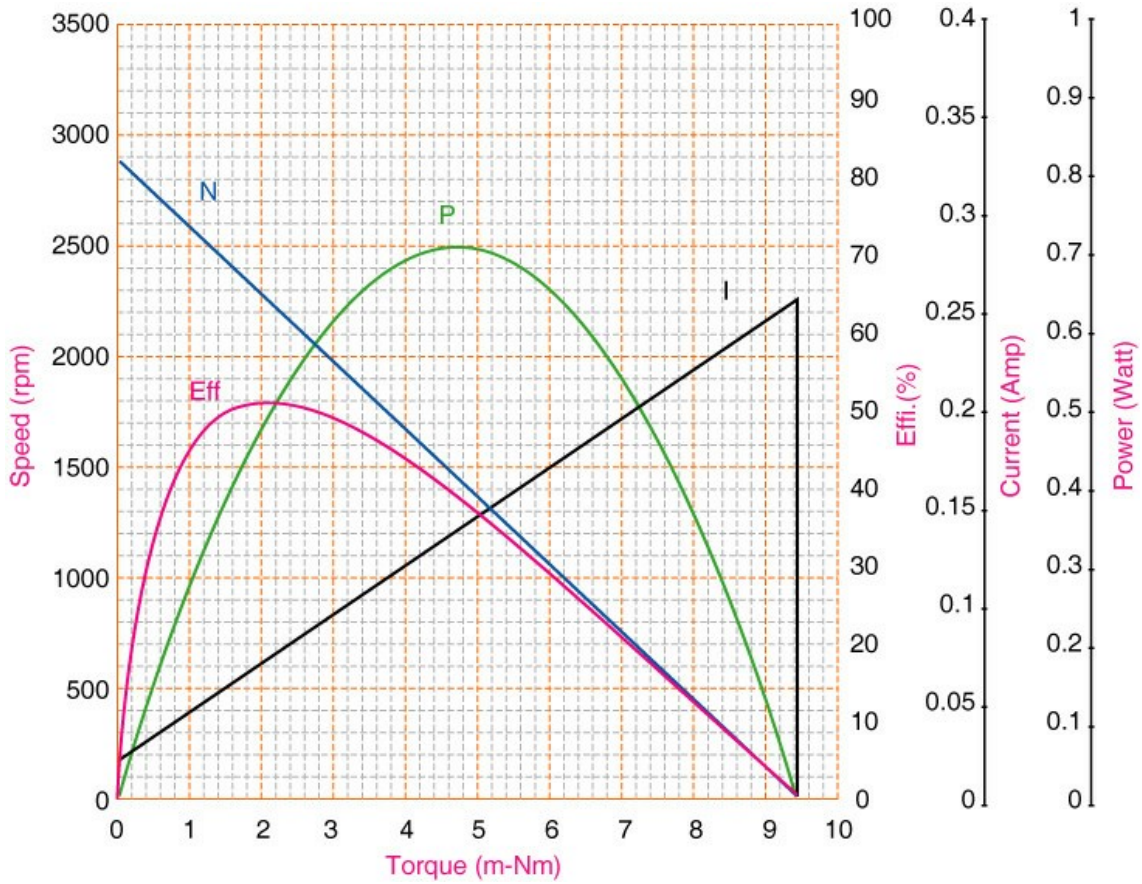
Performance Data:

	No Load	Stall	Maximum Efficiency	Maximum Power
Current (A)	0.02	0.26	0.07	0.14
Efficiency (%)	-	-	52	-
Output Power (hp)	-	-	0.00	0.00
Speed (rpm)	2883	-	2252	1441
Torque (Lb.in)	-	0.08	0.02	0.04

Outline Drawing:



Performance Curves:



Units in Metric