

## Characteristics:

High stall torque & high EMC & long life



## Specifications:

Dimensions :	Ø 38.3 X 65.0mm
Shaft Diameter :	Ø 4.005mm
Test Voltage :	12 Vdc
No Load Speed* :	8700 rpm
No Load Current* :	1.1 Amp
Stall Torque* :	580 mNm Ref.
Maximum Output Power:	129 W Ref.
Maximum Efficiency:	72 %
Weight:	279.4 g
Operation Temperature:	-40 to 85 °C
Storage Temperature:	-40 to 120 °C

\* Typical

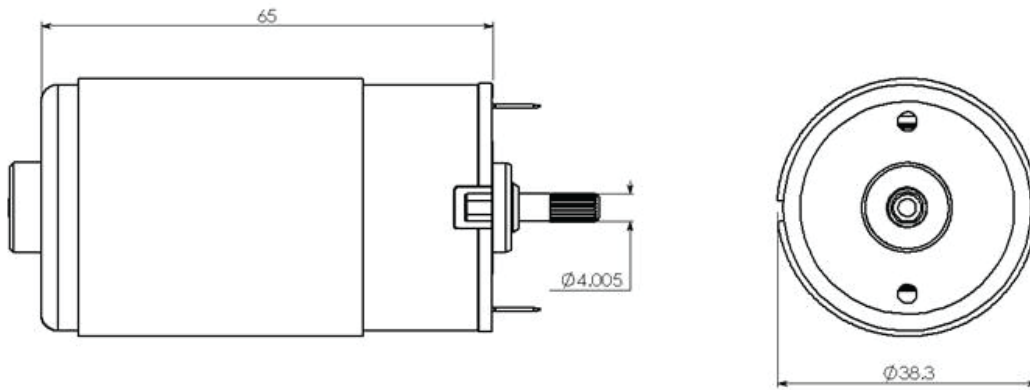
## Electrical Performance:

	No Load	Stall	Max Efficiency	Max Power
Current (A)	1.1	-	-	-
Efficiency (%)	-	-	72	43.0
Output Power (W)	-	-	48	129
Speed (rpm)	8700	-	7620	4249
Stall Torque (mNm)	-	580	-	-

## Application:

Electric Parking Brake

## Drawing:



Unit in mm

## Performance Curve:

