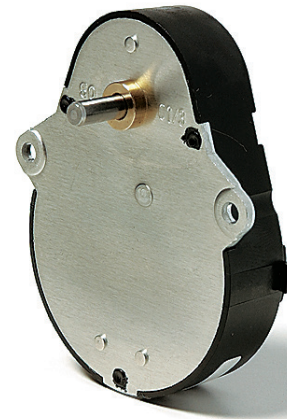


UGM

Dimensions (mm)	51 x 65.2
Height (mm)	15
Max. torque (cNm)	100
Ratios	12.5 ... 4800
Internal slipping clutch	none
Standard shaft (mm)	∅ 4 x 10
Weight (g)	45
Motor combination	Series UC, UB and UD; Series UF without UFR3/4 and UFB3/4



Standard Data

Mounting	any position
Axial thrust F_A	20 N
Lateral force F_R	100 N
Output shafts	∅ 4 x 10, other on request
Climatic class	wide-spread according to DIN IEC 60721-2-1
Ambient temperature operation	°C -15 ... +60
Ambient temperature storage	°C -40 ... +80

Ratios	12 1/2	16 2/3	25	50	100	120	150	200	240	300	400	450	500	600
	750	1000	1200	1500	4800									

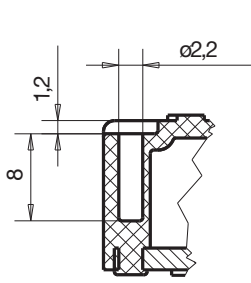
Order Reference

Type	Gearbox	UGM	100	N	N
Ratio	100				
Slipping clutch	N Without slipping clutch				
Shaft end	N ∅ 4 x 10, other on request				

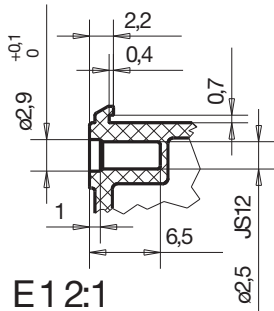
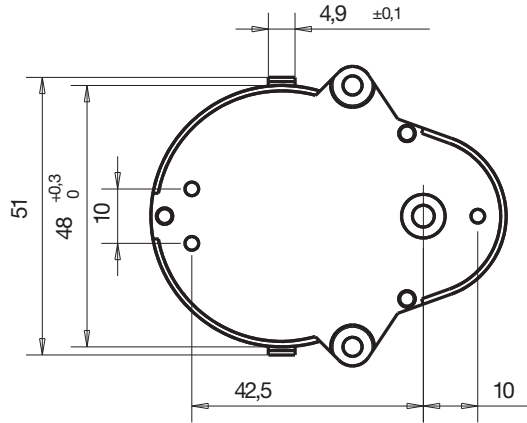


All specifications are representative only and maybe subject to variation. For confirmation of values, please contact Johnson Electric. Please also read "Saia Motors Important Notes" on catalog or at www.johnsonelectric.com/SaiaMotorsNotes

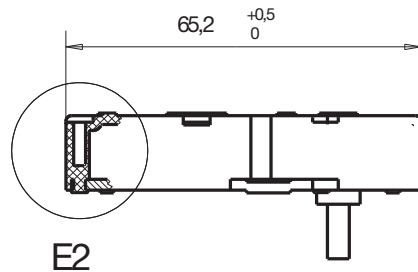
Dimensions



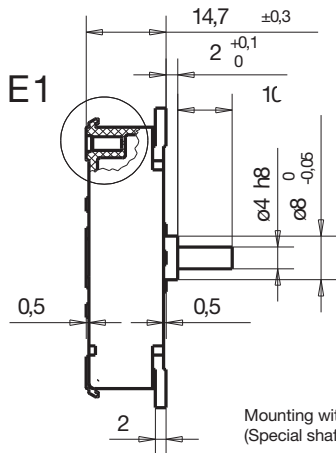
E22:1



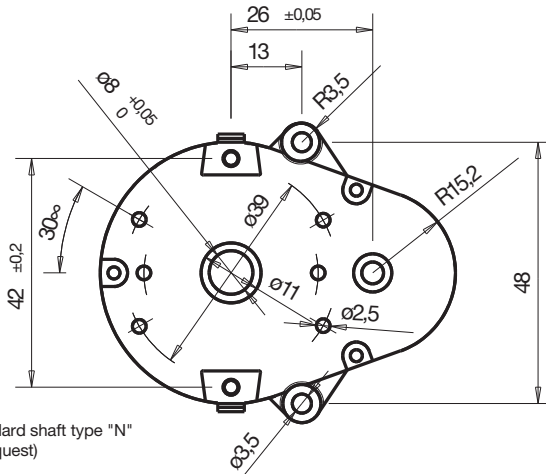
E12:1



E2

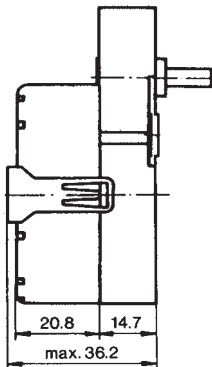


E1

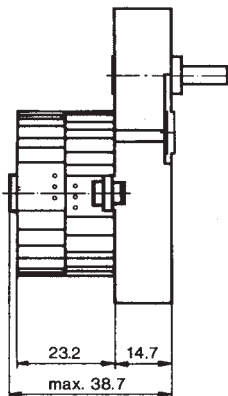


Mounting with standard shaft type "N"
(Special shaft on request)

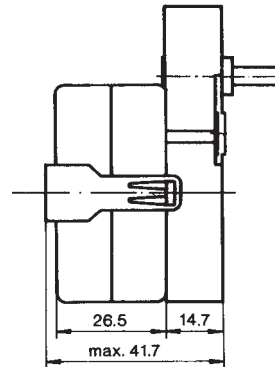
UDS 1..M



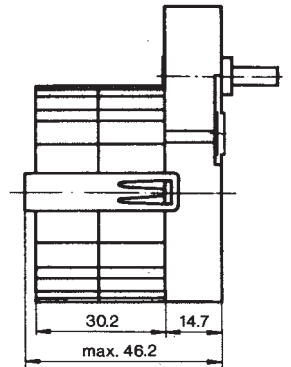
UBR 1..M



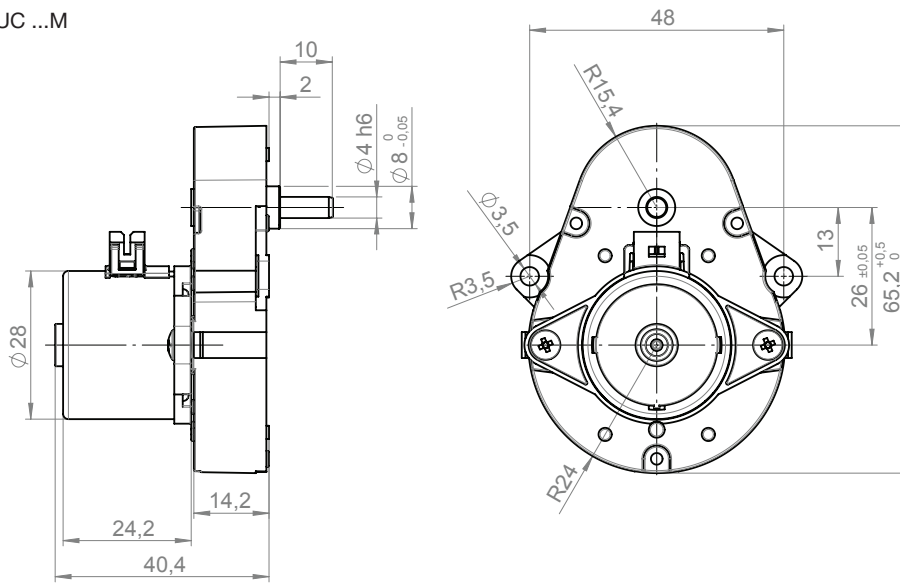
UDR 1..M



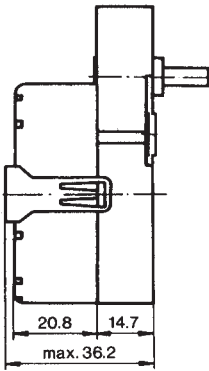
UFM 1/UFU 1/UFR 1..M



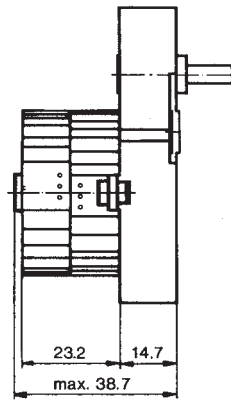
Dimensions UC ...M



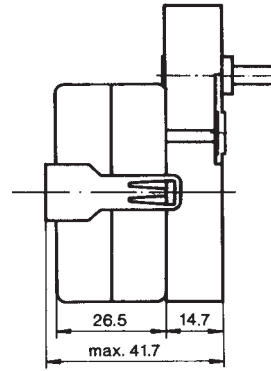
Motor mounting UDS 1..M



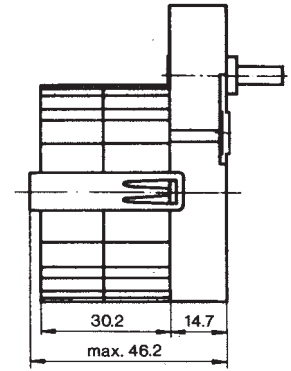
UBR 1..M



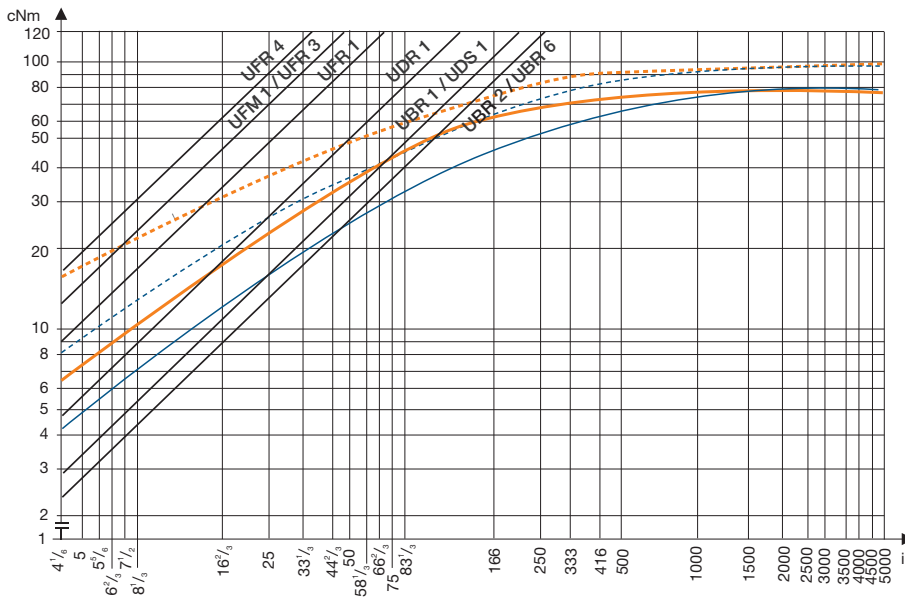
UDR 1..M



UFM 1/UFU 1/UFR 1..M



Torque / ratio / life graph



motor torque with consideration for gear efficiency

In combination with motors
n=250 rpm, continuous operation
and $T_{ambient}$
■ 10000 h
■ 1000 h

In combination with motors
n=500 rpm, continuous operation
and $T_{ambient}$
■ 10000 h
■ 1000 h