

Characteristics:

High Efficiency, Long Life, High Performance



Specifications:

Dimension	: Ø 35 X 72.5mm
Rated Voltage	: 13V
Rated Flow Rate	: 3.2LPM@34psi
Max. Flow Rate	: 4.5LPM@21.8psi
Max. Pressure	: 51psi
Max. Pump Efficiency	: 19%
Flow Rate at Max. Efficiency	: 3.4LPM
Life (Typical)	: 30,000 activation
Life test Condition	: 4sec ON/26sec OFF
Weight	: 98g
Operation Temperature	: -18°C to +80°C
Storage Temperature	: -40°C to +80°C
Electrical Connection	: Mating Connector Housing

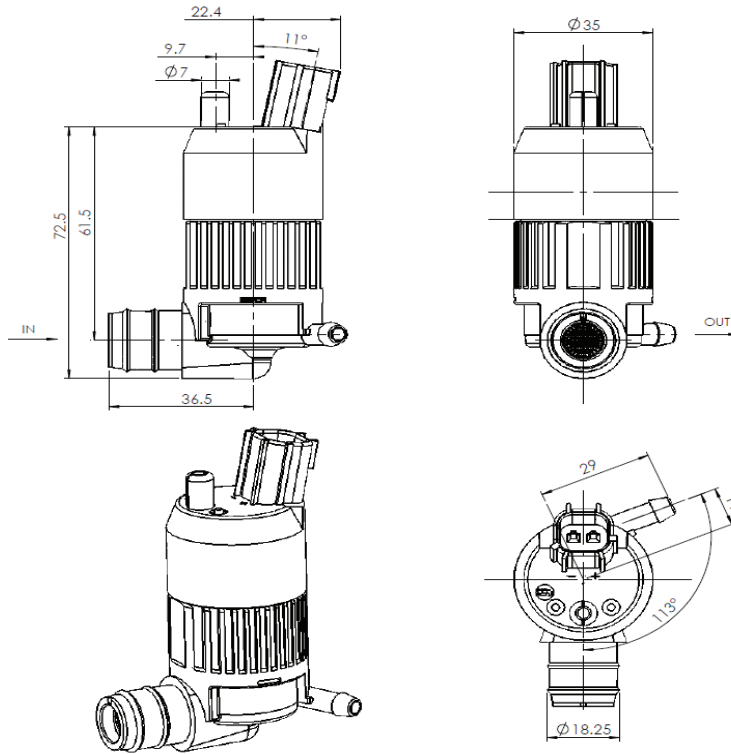
Electrical Performance:

	Valve Fully Open	Typical Working Point	Max. Efficiency	Valve Fully Closed
Water Flow (LPM)	4.50	3.20	3.40	—
Input Power (W)	74.90	67.10	68.40	52.20
Pump Efficiency (%)	15.10	18.60	18.30	—
Water Pressure (psi)	21.80	34.00	32.00	51.00

Application:

Windshield Washer Pump

Drawing:



Unit in mm

Performance Curve:

