

Characteristics:

Highest Efficiency, Long Life, High Pressure, Low Current

Specifications:

Dimension	: Ø 35 X 72.5mm
Rated Voltage	: 13V
Rated Flow Rate	: 2.6LPM@44.2psi
Max. Flow Rate	: 4.9LPM@20.8psi
Max. Pressure	: 57.0psi
Max. Pump Efficiency	: 18.6%
Flow Rate at Max. Efficiency	: 3.0LPM
Life (Typical)	: 30,000 activation
Life Test Condition	: 4sec ON/26sec OFF
Weight	: 98g
Operation Temperature	: -18°C to +80°C
Storage Temperature	: -40°C to +80°C
Electrical Connection	: Mating Connector Housing



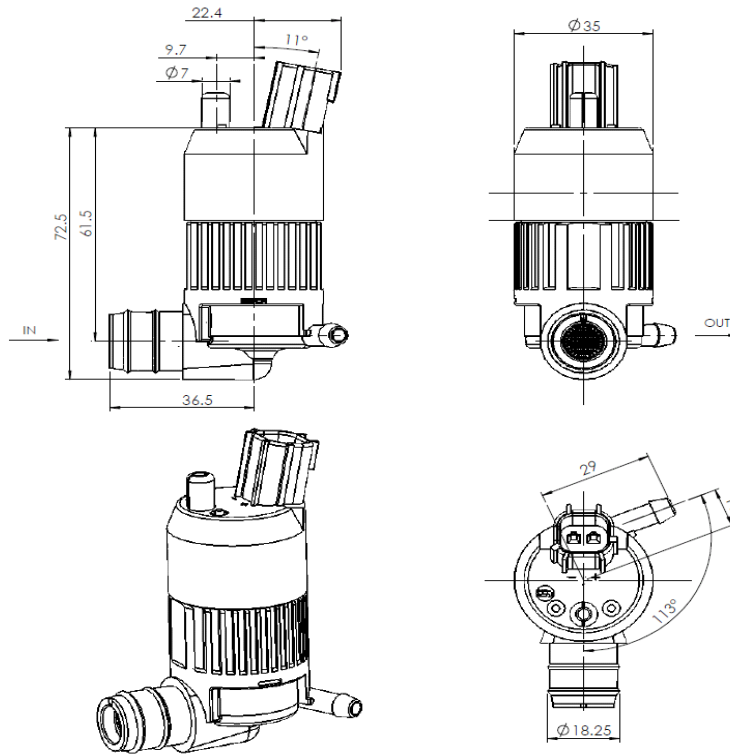
Electrical Performance:

	Valve Fully Open	Typical Working Point	Max. Efficiency	Valve Fully Closed
Water Flow (LPM)	4.9	2.6	3.0	-
Input Power (W)	84.8	72.4	74.1	60.8
Pump Efficiency (%)	13.7	18.0	18.6	-
Water Pressure (psi)	20.8	44.2	40.6	57.0

Application:

Windshield Washer Pump

Drawing:



Unit in mm

Performance Curve:

