

Characteristics:

High Efficiency, Long Life, High Performance

Specifications:

Dimension	: Ø 35 X 72.5mm
Rated Voltage	: 13V
Rated Flow Rate	: 2.5LPM@41.3psi
Max. Flow Rate	: 5.0LPM@22.0psi
Max. Pressure	: 53.3psi
Max. Pump Efficiency	: 16.4%
Flow Rate at Max. Efficiency	: 3.1LPM
Life (Typical)	: 30,000 activation
Life Test Condition	: 4sec ON/26sec OFF
Weight	: 98g
Operation Temperature	: -18°C to +80°C
Storage Temperature	: -40°C to +80°C
Electrical Connection	: Mating Connector Housing



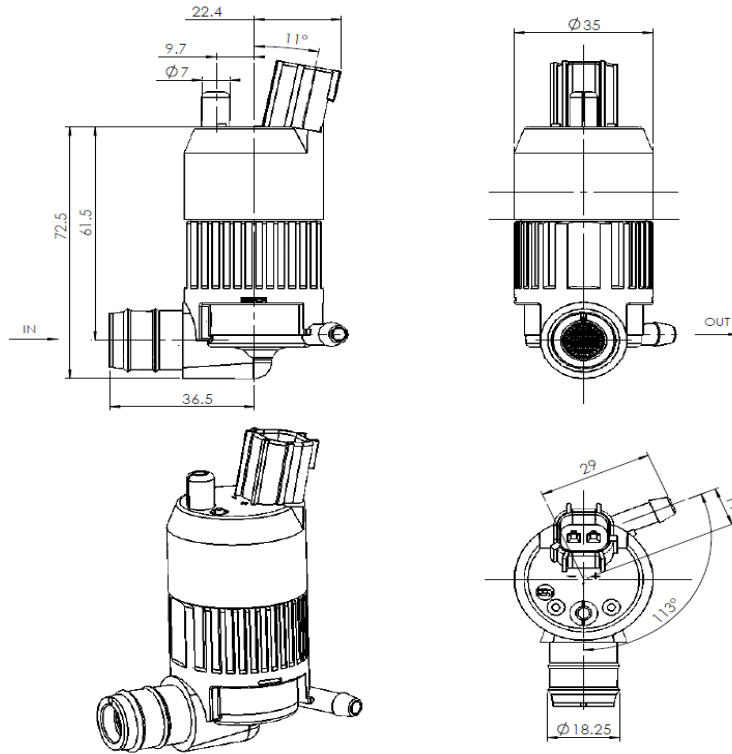
Electrical Performance:

	Valve Fully Open	Typical Working Point	Max. Efficiency	Valve Fully Closed
Water Flow (LPM)	5.0	2.5	3.1	-
Input Power (W)	91.0	75.8	79.95	65.7
Pump Efficiency (%)	13.9	15.5	16.4	-
Water Pressure (psi)	22	41.3	37.7	53.3

Application:

Windshield Washer Pump

Drawing:



Unit in mm

Performance Curve:

