

## Characteristics:

Self-recover after Thaw, Stall Proof, Low Current Consumption,  
High Efficiency Mono Pump

## Specifications:

Dimensions	: Ø 35.0 X 72.5 mm
Rated Voltage	: 13 Vdc
Rated Flow Rate	: 2.4 LPM@2.86 bar
Max. Flow Rate	: 4.2 LPM@1.19 bar
Max. Pressure	: 3.98 bar
Max. Pump Efficiency	: 18.1%
Flow Rate at Max. Efficiency	: 2.7 LPM
Life (Typical)	: 30000 Activation
Life Test Condition	: 4 sec ON/26 sec OFF
Weight	: 100 g
Operation Temperature	: -18 to + 80 °C
Storage Temperature	: -40 to + 80 °C
Electrical Connection	: Mating Connector Housing



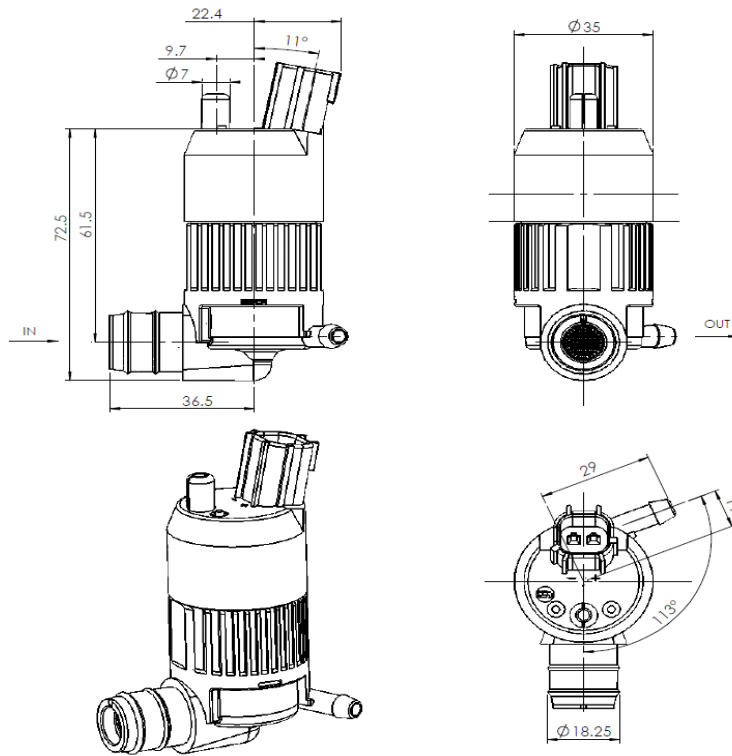
## Performance Data:

	Valve Fully Open	Typical Working Point	Max Efficiency	Valve Fully Closed
Water Flow (LPM)	4.2	2.4	2.7	-
Input Power (W)	75.9	65.8	67.6	52.7
Pump Efficiency (%)	10.9	17.4	18.1	-
Water Pressure (Bar)	1.19	2.86	2.68	3.98

## Application Examples:

Windshield Washer Pumps

## Drawing:



Unit in mm

## Performance Curve:

