

Characteristics:

High Efficiency, Long Life, High Performance

Specifications:

| | |
|------------------------------|---|
| Dimension | : Ø 35 X 72.5mm |
| Rated Voltage | : 13V |
| Rated Flow Rate | : 2.5LPM@32psi |
| Max. Flow Rate | : 4.3LPM@16psi |
| Max. Pressure | : 47psi |
| Max. Pump Efficiency | : 15% |
| Flow Rate at Max. Efficiency | : 2.9LPM |
| Life (Typical) | : 39,000 activation |
| Life test Condition | : 4sec ON/26sec OFF, 2 activation for front and 1 activation for rear |
| Weight | : 112g |
| Operation Temperature | : -18°C to +80°C |
| Storage Temperature | : -40°C to +80°C |
| Electrical Connection | : Mating Connector Housing |



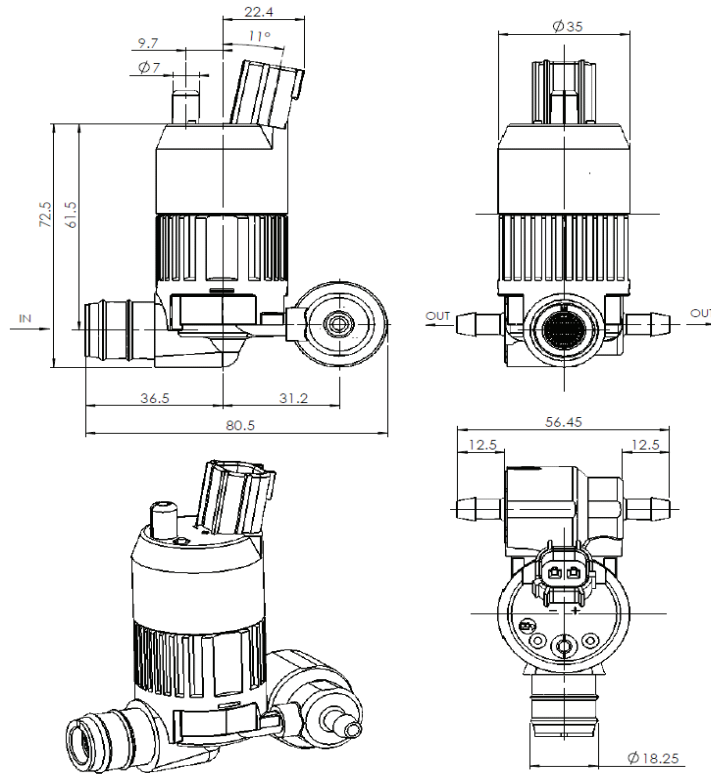
Electrical Performance:

| | Valve Fully Open | Typical Working Point | Max. Efficiency | Valve Fully Closed |
|----------------------|------------------|-----------------------|-----------------|--------------------|
| Water Flow (LPM) | 4.30 | 2.57 | 2.90 | — |
| Input Power (W) | 73.10 | 65.20 | 66.90 | 53.80 |
| Pump Efficiency (%) | 11.30 | 14.50 | 14.90 | — |
| Water Pressure (psi) | 16.70 | 32.00 | 30.00 | 47.00 |

Application:

Windshield Washer Pump

Drawing:



Unit in mm

Performance Curve:

