

## Characteristics:

High Efficiency, Long Life, High Performance

## Specifications:

Dimension	: Ø 35 X 72.5mm
Rated Voltage	: 13V
Rated Flow Rate	: 2.5LPM@32psi
Max. Flow Rate	: 4.3LPM@16psi
Max. Pressure	: 47psi
Max. Pump Efficiency	: 15%
Flow Rate at Max. Efficiency	: 2.9LPM
Life (Typical)	: 39,000 activation
Life Test Condition	: 4sec ON/26sec OFF, 2 activation for front and 1 activation for rear
Weight	: 112g
Operation Temperature	: -18°C to +80°C
Storage Temperature	: -40°C to +80°C
Electrical Connection	: Mating Connector Housing



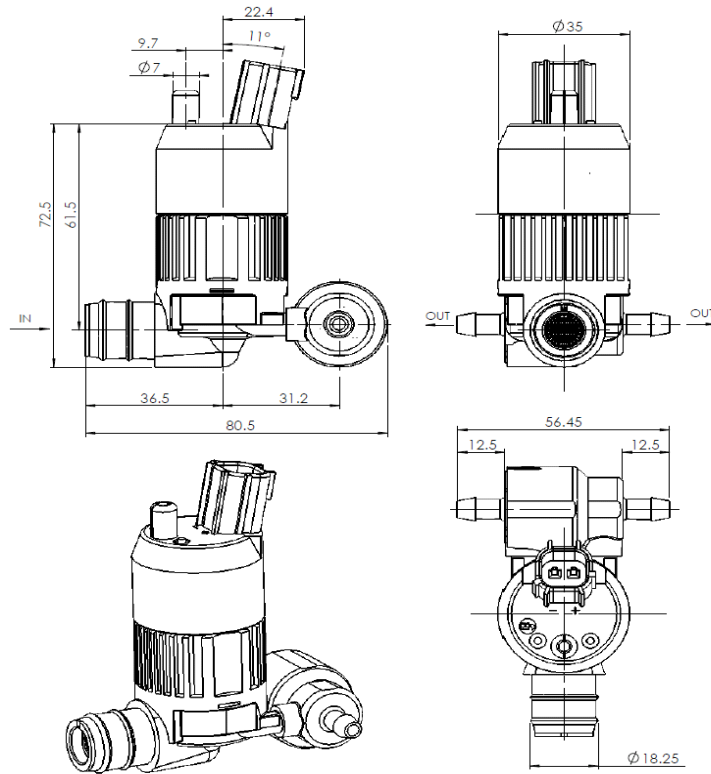
## Electrical Performance:

	Valve Fully Open	Typical Working Point	Max. Efficiency	Valve Fully Closed
Water Flow (LPM)	4.30	2.57	2.90	-
Input Power (W)	73.10	65.20	66.90	53.80
Pump Efficiency (%)	11.30	14.50	14.90	-
Water Pressure (psi)	16.70	32.00	30.00	47.00

## Application:

Windshield Washer Pump

## Drawing:



Unit in mm

## Performance Curve:

